



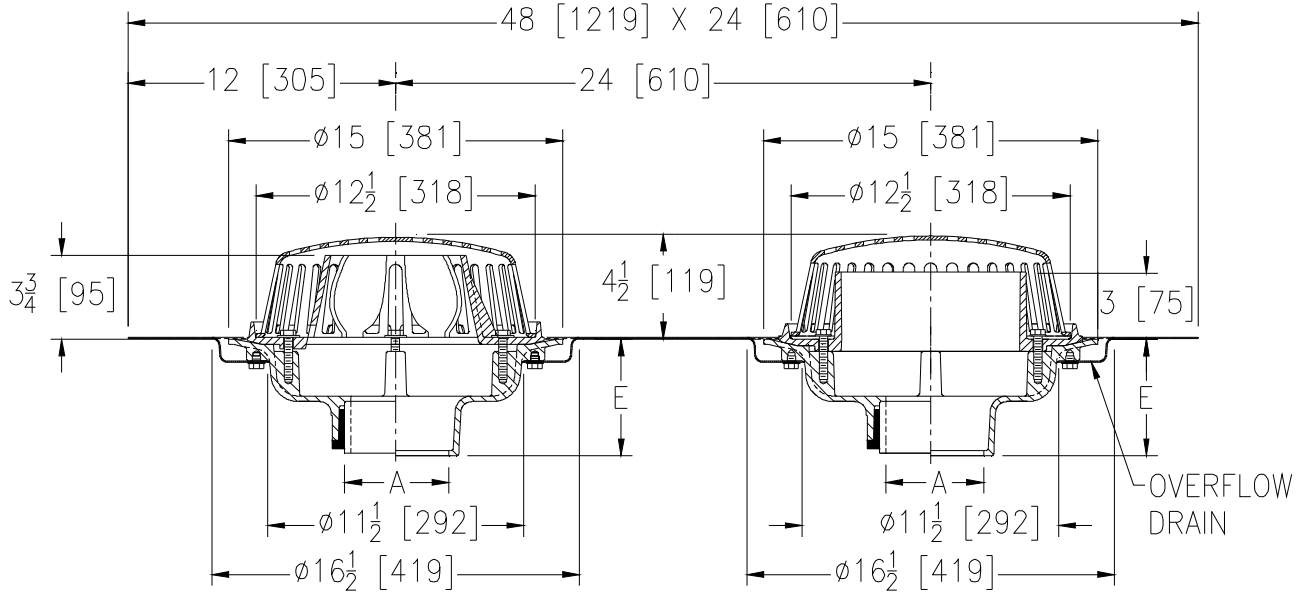
Z105-86

15 [381] DIAMETER COMBINATION CONTROL-FLO ROOF DRAIN AND OVERFLOW DRAIN WITH LOW SILHOUETTE DOMES AND DOUBLE TOP SET® DECK PLATE

SPECIFICATION SHEET

TAG _____

Dimensional Data (inches and [mm]) are Subject to Manufacturing Tolerances and Change Without Notice



A - Pipe Size In.	Approx. Wt. Lbs. [kg]	Dome Open Area Sq. In. [cm ²]
2-3-4[51-76-102]	90 [41]	103 [665]

ENGINEERING SPECIFICATION: ZURN Z105-86

5 [381] Diameter combination control-flo roof drain for dead-level roof construction and secondary overflow drain, Dura-Coated cast iron bodies with combination membrane flashing clamp/gravel guards, double Top-Set® deck plate, and low silhouette Poly-Domes. Control-flo weir shall be linear functioning with integral membrane flashing clamp/ gravel guard.

OPTIONS (Check/specify appropriate options)

PIPE SIZE

- 2-3-4[51-76-102]
- 2-3-4[51-76-102]
- 2-3-4[51-76-102]
- 2-3-4[51-76-102]

(Specify size/type) OUTLET

- _____ IC Inside Caulk
- _____ IP Threaded
- _____ NH No-Hub
- _____ NL Neo-Loc

E BODY HT. DIM.

- 5 1/4 [133]
- 3 3/4 [95]
- 5 1/4 [133]
- 4 5/8 [117]

PREFIXES

- _____ Z D.C.C.I. Body with Poly-Dome*
- _____ ZA D.C.C.I. Body with Aluminum Dome
- _____ ZC D.C.C.I. Body with Cast Iron Dome
- _____ ZRB D.C.C.I. Body with Plain Bronze Dome

SUFFIXES

- _____ -AR Acid Resistant Epoxy Coated Finish
- _____ -DR Top-Set® Drain Riser
- _____ -E Static Extension 1 thru 4 [25 thru 102] (Specify Ht.)
- _____ -EA Adjustable Extension Assembly2
2 1/8 thru 3 1/2 [54 thru 89]
- _____ -G Galvanized Cast Iron
- _____ -SC Secondary Clamping Collar
- _____ -TC Neo-Loc Test Cap Gasket
(2-4 [51-102] NL Bottom Outlet Only)
- _____ -VP Vandal Proof Secured Top
- _____ -W4 4 [102] Internal Water Dam (Overflow Drain)
- _____ -XJ Vertical Expansion Joint (See Z190)
- _____ -10 Parabolic Weir for Sloped Roof
(Control-Flo Drain)

*REGULARLY FURNISHED UNLESS OTHERWISE SPECIFIED

REV. DATE: 8/7/09 C.N. NO. 110038

DWG. NO. P-15743 PRODUCT NO. Z105-86

ZURN INDUSTRIES, LLC ♦ SPECIFICATION DRAINAGE OPERATION ♦ 1801 Pittsburgh Ave. ♦ Erie, PA 16514

Phone: 814455-0921 ♦ Fax: 814454-7929 ♦ World Wide Web: www.zurn.com

In Canada: ZURN INDUSTRIES LIMITED ♦ 3544 Nashua Drive ♦ Mississauga, Ontario L4V1L2 ♦ Phone: 905405-8272 Fax: 905405-1292