



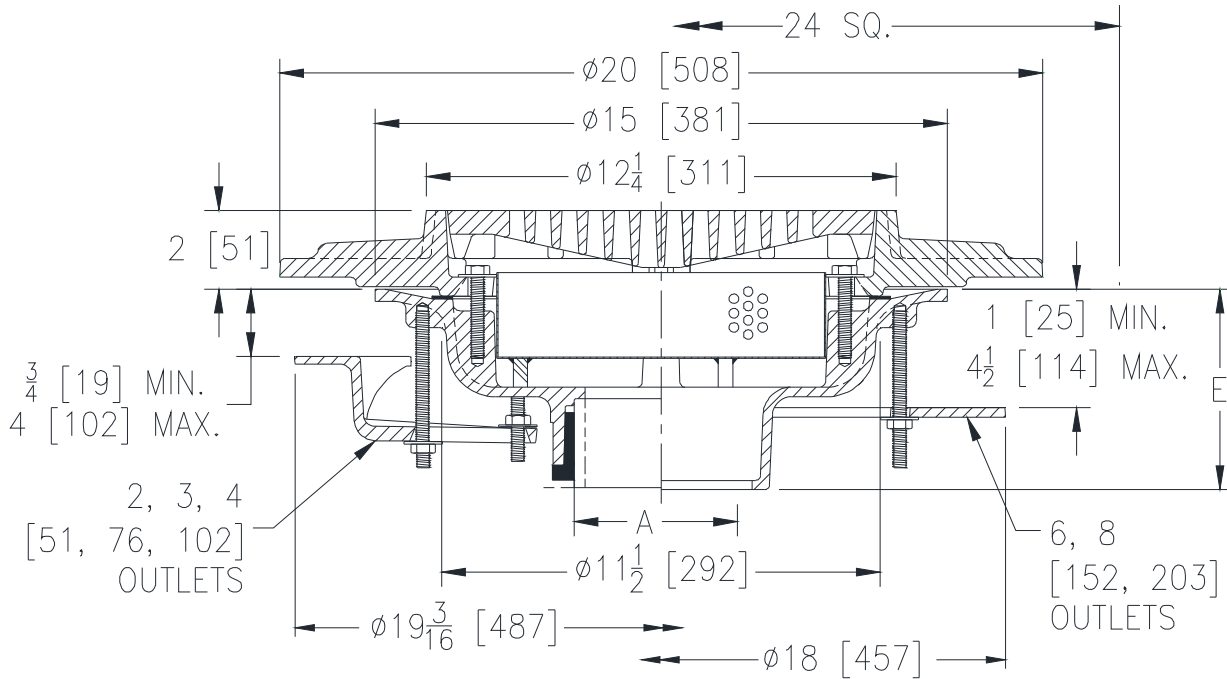
Z534-C-Y

12-1/4 [311] DIAMETER HEAVY-DUTY PARKING DECK DRAIN
W/ SUPPORT FLANGE, UNDERDECK CLAMP AND SEDIMENT
BUCKET

SPECIFICATION SHEET

TAG _____

Dimensional Data (inches and [mm]) are Subject to Manufacturing Tolerances and Change Without Notice



A Pipe Size In [mm]	Approx. Wt. Lbs. [kg]	Grate Open Area Sq. In. [cm ²]
2,3,4,6 [51,76,102,152]	82 [37]	30 [194]
8 [203]	84 [38]	

ENGINEERING SPECIFICATION: ZURN Z534-C-Y
12-1/4" [311mm] Diameter parking deck drain, Dura-Coated cast iron body with bottom outlet, heavy-duty gasketed drain support flange, with heavy-duty slotted grate, underdeck clamp and sediment bucket.

OPTIONS (Check/specify appropriate options)

PIPE SIZE

- 3,4,6 [76,102,152]
- 3,4,6 [76,102,152]
- 2,3,4,6,8 [51,76,102,152,203]
- 2,3,4,6,8 [51,76,102,152,203]
- 2,3,4 [51,76,102]

(Specify size/type) **OUTLET**

- ___ IC Inside Caulk
- ___ IG Inside Gasket
- ___ IP Threaded
- ___ NH No-Hub
- ___ NL Neo-Loc

'E' BODY HT. DIM.

- 5-1/4 [133]
- 5-1/4 [133]
- 3-3/4 [95]
- 5-1/4 [133]
- 4-5/8 [117]

PREFIXES

- ___ Z D.C.C.I. Body and Top*
- ___ ZB D.C.C.I. Body with Polished Bronze Top (Add 3/16 [5] to 2 [51] Dim and 3/4 [19] To 12-1/4 [311] Dim.)
- ___ ZN D.C.C.I. Body with Polished Nickel Bronze Top (Add 3/16 [5] to 2 [51] Dim and 3/4 [19] To 12-1/4 [311] Dim.)

SUFFIXES

- ___ -G Galvanized Cast Iron
- ___ -HP Heel-Proof Grate
- ___ -TC Neo-Loc Test Cap Gasket (2,3,4 [51,76,102] NL Bottom Outlet Only)
- ___ -TS Top Secured with Slotted Screws
- ___ -VP Vandal-Proof Secured Top
- ___ -XJ Expansion Joint (See Z190) (Use with IP Type Outlets)

* Regularly furnished unless otherwise specified.