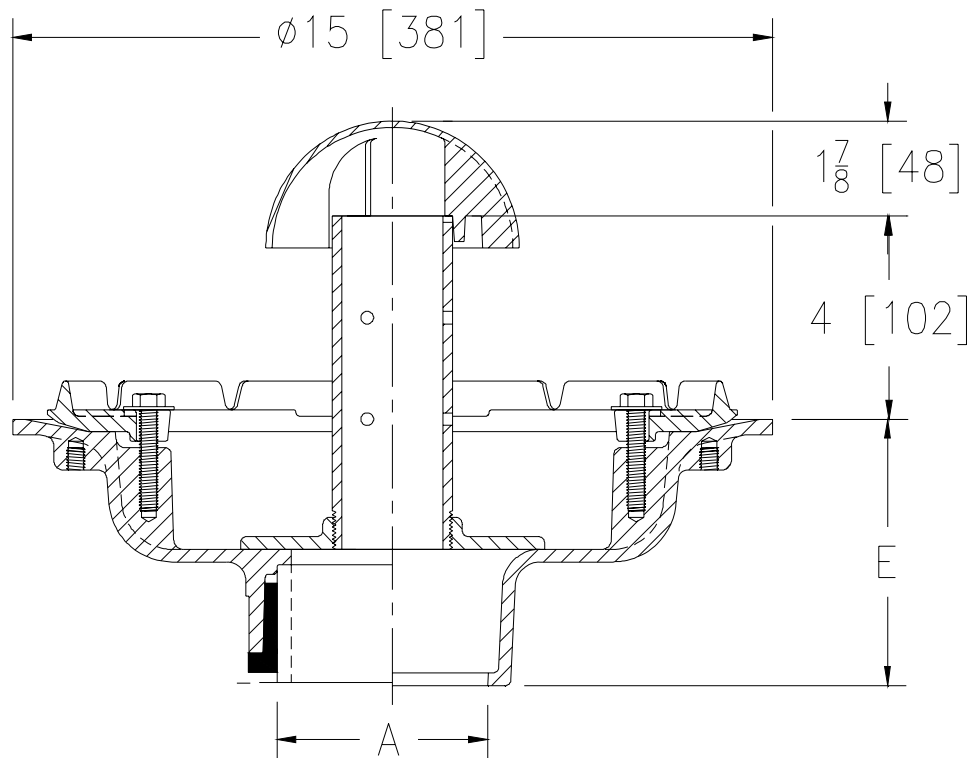




# Z349-82 TERRACE PLANTING AREA DRAIN

SPECIFICATION SHEET  
TAG \_\_\_\_\_

Dimensional Data (inches and [ mm ]) are Subject to Manufacturing Tolerances and Change Without Notice



A Pipe Size	Approx. Wt. Lbs. [kg]
2-3-4 [51-76-102]	40 [18]
5-6 [127-152]	42 [19]

**ENGINEERING SPECIFICATION: ZURN Z349-82**

Terrace Planting area Drain, Dura-Coated cast iron body, 4 [102] high perforated overflow standpipe with dome and combination membrane flashing clamp/gravel guard.

**OPTIONS** (Check/specify appropriate options)

**PIPE SIZE**

- 2 thru 6 [51 thru 152]
- 2 thru 4 & 6 [51 thru 102 & 152]
- 2 thru 6 [51 thru 152]
- 2 thru 6 [51 thru 152]
- 2 thru 4 [51-76-102]
- 6 [152]

(Specify size/type) **OUTLET**

- \_\_\_ IC Inside Caulk
- \_\_\_ IG Inside Gasket
- \_\_\_ IP Threaded
- \_\_\_ NH No-Hub
- \_\_\_ NL Neo-Loc
- \_\_\_ NL Neo-Loc

**'E' BODY HT. DIM.**

- 5-1/4 [133]
- 5-1/4 [133]
- 3-3/4 [95]
- 5-1/4 [133]
- 4-9/16 [117]
- 5-7/16 [138]

**PREFIXES**

- \_\_\_ Z D.C.C.I Body w/ Standpipe and Dome\*
- \_\_\_ ZB D.C.C.I Body, Clamp w/ Polished Bronze Standpipe and Dome
- \_\_\_ ZN D.C.C.I Body, Clamp w/ Polished Nickel Bronze Standpipe and Dome

**SUFFIXES**

- \_\_\_ -C Underdeck Clamp
- \_\_\_ -G Galvanized Cast Iron
- \_\_\_ -SA Stabilizer Assembly (See Z1036)
- \_\_\_ -SD Longer Standpipe (Specify Height Required)
- \_\_\_ -SS Stainless Mesh Screen Over Standpipe

\*REGULARLY FURNISHED UNLESS OTHERWISE SPECIFIED

REV.	DATE: 02/15/11	C.N. NO. 120874
DWG. NO. 304551	PRODUCT NO. Z349-82	