



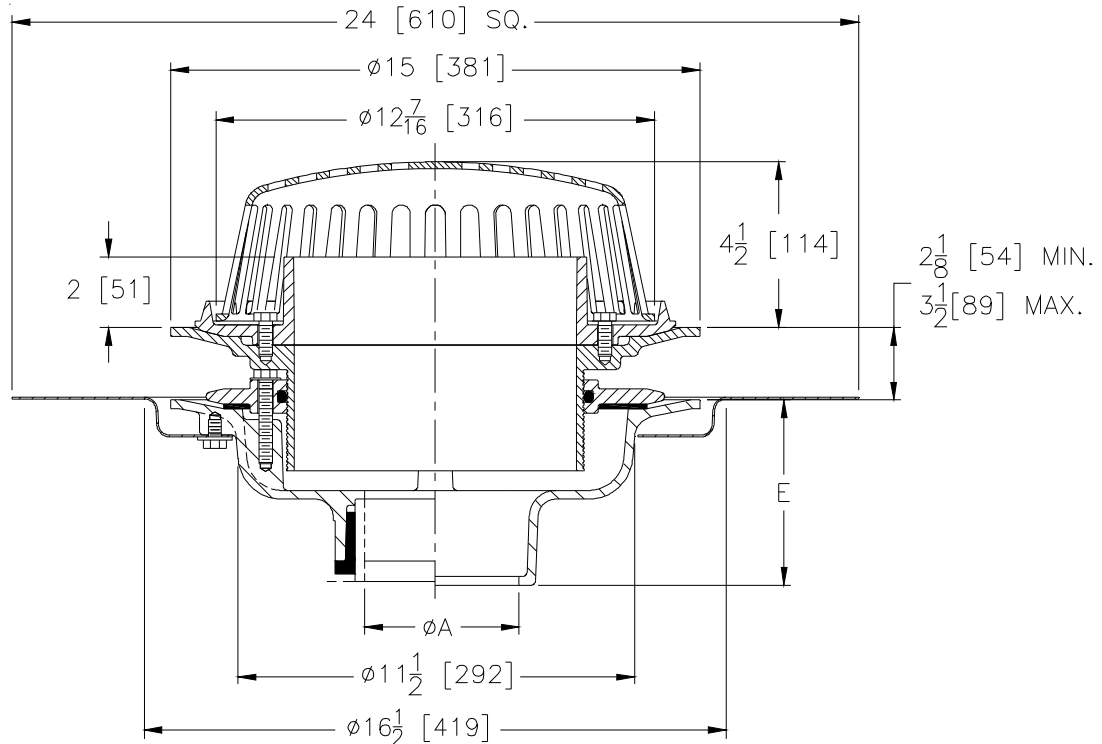
# Z100-DP-EA-W2

15 [381] DIAMETER MAIN ROOF DRAIN W/ TOP-SET® DECK PLATE, ADJUSTABLE EXTENSION, AND 2 [51] HIGH INTERNAL WATER DAM

SPECIFICATION SHEET

TAG \_\_\_\_\_

Dimensional Data (inches and [ mm ]) are Subject to Manufacturing Tolerances and Change Without Notice



A Pipe Size in [mm]	Approx Wt. lbs [kg]	Dome Open Area in <sup>2</sup> [cm <sup>2</sup> ]
2,3,4 [51,76,102]	59 [27]	103 [665]
6 [152]	72 [33]	
8 [203]	66 [30]	

### ENGINEERING SPECIFICATION: ZURNZ100-DP-EA-W2

15" [381mm] Diameter roof drain. Dura-Coated cast iron body with combination membrane flashing clamp/gravel guard, Top-Set® deck plate, adjustable extension, 2" [51mm] high internal water dam, secondary clamping collar with o-ring and low silhouette Poly-Dome strainer.

### OPTIONS (Check/specify appropriate options)

#### PIPE SIZE

3,4,6 [76,102,152]  
 2,3,4,6,8 [51,76,102,152,203]  
 2,3,4,6,8 [51,76,102,152,203]  
 2,3,4 [51,76,102]  
 6 [152]

#### (Specify size/type) OUTLET

\_\_\_\_\_ IC Inside Caulk  
 \_\_\_\_\_ IP Threaded  
 \_\_\_\_\_ NH No-Hub  
 \_\_\_\_\_ NL Neo-Loc  
 \_\_\_\_\_ NL Neo-Loc

#### E BODY HT. DIM.

5-1/4 [133]  
 3-3/4 [95]  
 5-1/4 [133]  
 4-5/8 [117]  
 5-7/16 [138]

#### PREFIXES

\_\_\_\_\_ Z D.C.C.I. Body with Poly-Dome\*  
 \_\_\_\_\_ ZA D.C.C.I. Body with Aluminum Dome  
 \_\_\_\_\_ ZC D.C.C.I. Body with Cast Iron Dome  
 \_\_\_\_\_ ZRB D.C.C.I. Body with Plain Bronze Dome

#### SUFFIXES

\_\_\_\_\_ -AR Acid Resistant Epoxy Coated  
 \_\_\_\_\_ -E Static Extension 1 [25] thru 4 [102] (Specify Ht.)  
 \_\_\_\_\_ -G Galvanized Cast Iron  
 \_\_\_\_\_ -HD 6-3/4 [171] High Aluminum Dome (148 sq. in. [955 cm<sup>2</sup>] open area)  
 \_\_\_\_\_ -R Roof Sump Receiver  
 \_\_\_\_\_ -SC Secondary Clamping Collar  
 \_\_\_\_\_ -SS Stainless Mesh Screen Over Dome  
 \_\_\_\_\_ -ST Dome w/ Solid Top (ZA and ZC Only)  
 \_\_\_\_\_ -TC Neo-Loc Test Cap Gasket (2,3,4 [51,76,102] NL Bottom Outlet Only)  
 \_\_\_\_\_ -VP Vandal Proof Secured Top  
 \_\_\_\_\_ -84 Stainless Steel Perforated Gravel Guard  
 \_\_\_\_\_ -90 90° Threaded Side Outlet Body

\* Regularly furnished unless otherwise specified.