

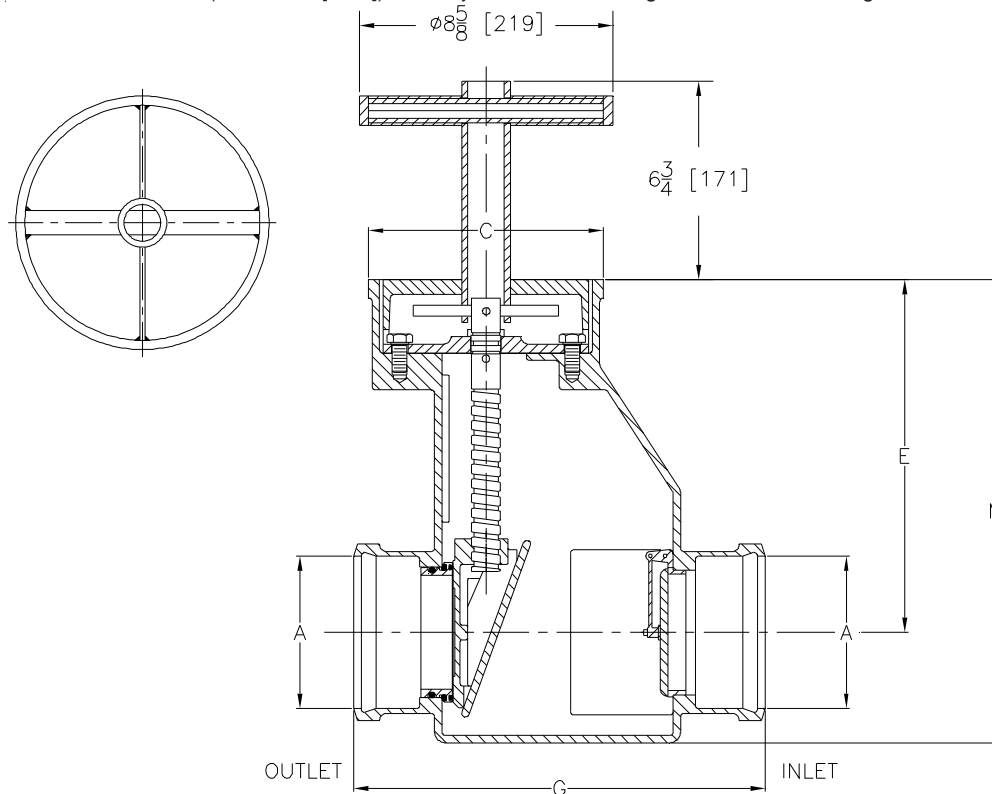


# Z1088-WH BACKWATER VALVE GATE TYPE

SPECIFICATION SHEET

TAG \_\_\_\_\_

Dimensional Data (inches and [ mm ]) are Subject to Manufacturing Tolerances and Change Without Notice



Dimensions In Inches [mm]				Approx. Wt. Lbs. [kg]
A Pipe Size	C	E	M	
4 [100]	8 [203]	12 [305]	15-3/4 [400]	80 [36]
6 [150]	10-1/2 [267]	14-1/2 [368]	19 [483]	120 [54]

**ENGINEERING SPECIFICATION:** ZURN Z1088-WH Gate Type Backwater Valve, Dura-Coated cast iron body with automatic PVC (4 [102] size only) flapper type backwater valve adjacent to inlet and spade type bronze gate valve with O-ring seat insert adjacent to outlet easily controlled at floor level by covered handle engaging bronze non-rising stem, with loose wheel handle.

**CONNECTIONS** (Check/specify appropriate options)

PIPE SIZE	(Specify size/type)	CONNECTION	G-LENGTH
4 [100]	_____	HB X HB Hub x Hub	14 [356]
6 [150]	_____	HB X HB Hub x Hub	16 [406]
4 [100]	_____	HB X NH Hub x No-Hub	18 [457]
6 [150]	_____	HB X NH Hub x No-Hub	20 [508]
4 [100]	_____	NH X NH No-Hub x No-Hub	18 [457]
6 [150]	_____	NH X NH No-Hub x No-Hub	16 [406]

**PREFIXES**

\_\_\_\_\_ Z D.C.C.I. Body and Cover with PVC Flapper Valve, Bronze Check Valve, Gate, and Stem\*

**SUFFIXES**

- \_\_\_\_\_ -BV Bronze Flapper Valve (4 [102] Size)
- \_\_\_\_\_ -G Galvanized Cast Iron
- \_\_\_\_\_ -12 12 [305] Extension
- \_\_\_\_\_ -24 24 [610] Extension

REV. C	DATE: 8/26/11	C.N. NO. 122001
DWG. NO. 62942		PRODUCT NO. Z1088-WH

\*REGULARLY FURNISHED UNLESS OTHERWISE SPECIFIED