



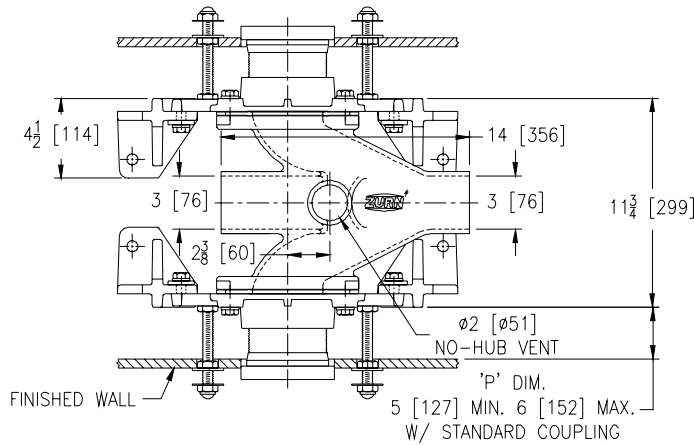
Z1203-ND3-XH

SPECIFICATION SHEET

EXTRA HEAVY-DUTY 750 LB [340 kg] ADJUSTABLE, HORIZONTAL, BACK TO BACK SIPHON JET NO-HUB

TAG _____

Dimensional Data (inches and [mm]) are Subject to Manufacturing Tolerances and Change Without Notice

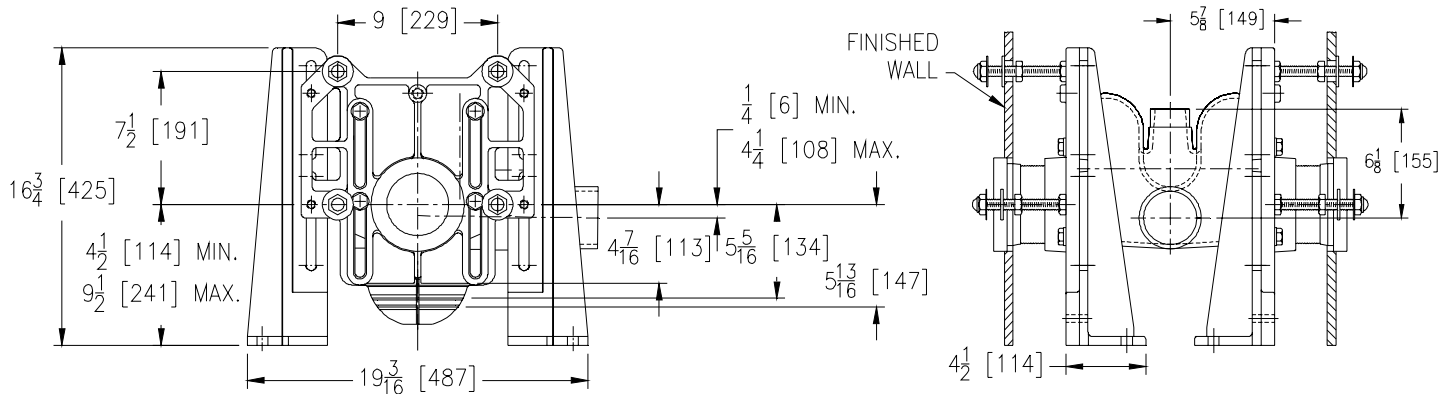


Product Number	Approx. Wt. Lbs. [kg]
Z1203-ND3-XH	158 [71]

PATENT PENDING

Note:

1. Min. 'P' Dim. Obtainable=2 [51]
2. Feet bolted to floor using min. 1/2 [13] dia. bolts.



ENGINEERING SPECIFICATION: ZURN Z1203-ND3-XH

Extra Heavy-Duty Adjustable, horizontal siphon jet water closet "Rigid System" with 3 [76] No-Hub connections, rated for a 750 Lb. [340 kg] maximum static load. Complete with Dura-Coated cast iron double main fitting, with 2 [51] vent, adjustable gasketed faceplates, floor mounted foot supports, corrosion resistant adjustable ABS couplings with integral test cap, fixture bolts, trim, stud protectors, and bonded "Neo-Seal" gasket. Carrier complies with all applicable requirements of ASME A112.6.1M up to a 750 Lb. [340-kg.] load.

OPTIONS (Check/specify appropriate options)

___ Z1203-ND3-XH 3 [76] No-Hub Back to Back Inlet (Double)

PREFIXES

- ___ Z D.C.C.I. System with Zurn "ZZ" Adjustable Coupling*
- ___ ZQ D.C.C.I. System with NPT Faceplate and Non-Adjustable Coupling

SUFFIXES

- ___ -CC Corrosion Resistant Cast Iron Coupling (6 [152])
- ___ -G Galvanized Cast Iron
- ___ -T Threaded Connection
- ___ -VP Vandal-Proof Trim
- ___ -29 Mechanical Test Cap Assembly
- ___ -45 Finishing Frame for Siphon Jet System
- ___ -50 Flush Valve Supply Support for Water Closets
- ___ -61 Adjusting Wrench for "ZZ" Coupling

*REGULARLY FURNISHED UNLESS OTHERWISE SPECIFIED

REV.	DATE: 03/30/11	C.N. NO. 121098
DWG. NO. 305212	PRODUCT NO. Z1203-ND3-XH	

ZURN INDUSTRIES, LLC. ♦ SPECIFICATION DRAINAGE OPERATION ♦ 1801 Pittsburgh Ave. ♦ Erie, PA 16514

Phone: 814/455-0921 ♦ Fax: 814/454-7929 ♦ World Wide Web: www.zurn.com

In Canada: ZURN INDUSTRIES LIMITED ♦ 3544 Nashua Drive ♦ Mississauga, Ontario L4V1L2 ♦ Phone: 905/405-8272 Fax: 905/405-1292