



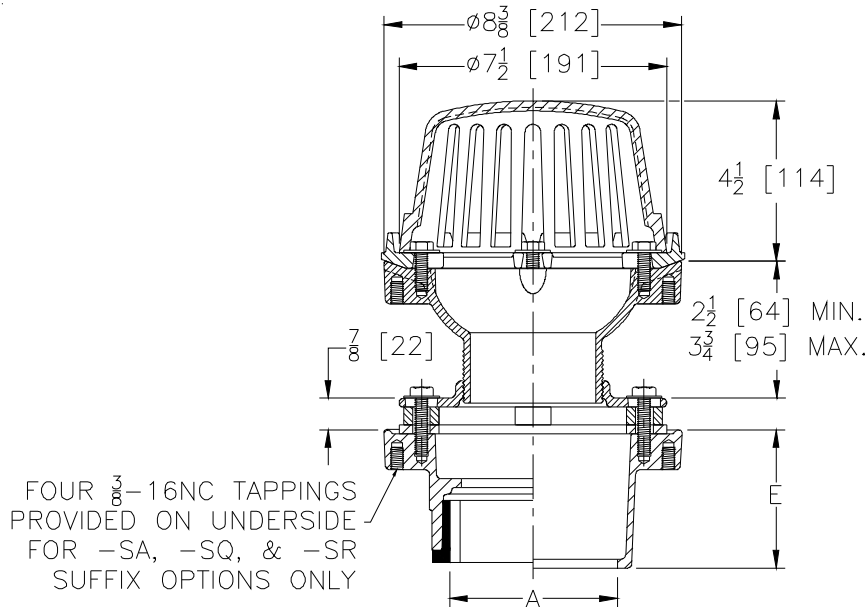
Z125-106

Ø8-3/8 [213] PODIUM DRAIN W/ LOW SILHOUETTE DOME

SPECIFICATION SHEET

TAG _____

Dimensional Data (inches and [mm]) are Subject to Manufacturing Tolerances and Change Without Notice



A Pipe Size	Approx. Wt. Lbs. [kg] **	Grate Open Area Sq. In. [cm ²]
2-3-4-6 [51-76-102-152]	25-36 [11-16]	23 [148]

ENGINEERING SPECIFICATION: ZURN Z125-106
8-3/8 [213] Diameter Podium Drain, Dura-Coated cast iron body with combination membrane flashing clamp/gravel guard, low silhouette Poly-Dome, seepage opening and adjustable upper threaded body.

OPTIONS (Check/specify appropriate options)

PIPE SIZE

- 2 thru 4 [51 thru 102]
- 2 thru 4 [51 thru 102]
- 2 [51]
- 3 [76]
- 4 [102]
- 6 [152]
- 2 thru 4 [51 thru 102]
- 2 thru 4 [51 thru 102]

(Specify size/type) **OUTLET**

- _____ IC Inside Caulk
- _____ IG Inside Gasket
- _____ IP Threaded
- _____ IP Threaded
- _____ IP Threaded
- _____ IP Threaded
- _____ NH No-Hub
- _____ NL Neo-Loc

'E' BODY HT. DIM.

- 3-7/8 [98]
- 3-7/8 [98]
- 2-3/8 [60]
- 2-5/8 [67]
- 2-7/8 [73]
- 2-3/4 [70]
- 3-7/8 [98]
- 3-3/4 [95]

PREFIXES

- ___ Z D.C.C.I. Body with Poly-Dome (4-1/4 [108] Dome Height)*
- ___ ZA D.C.C.I. Body with Aluminum Dome (4-1/4 [108] Dome Height)
- ___ ZRB D.C.C.I. Body with Plain Bronze Dome (3-1/4 [83] Dome Height)

SUFFIXES

- | | |
|---|--|
| <ul style="list-style-type: none"> ___ -AR Acid Resistant Epoxy Coated Finish ___ -BS Bronze Mesh Screen Over Dome ___ -C Underdeck Clamp ___ -DP Top-Set® Roof Deck Plate
(Replaces both the -C and -R) ___ -DR Top-Set® Drain Riser ___ -FG Flush Grate (Replaces Dome Strainer) ___ -G Galvanized Cast Iron ___ -R Roof Sump Receiver ___ -SS Stainless Mesh Screen Over Dome ___ -VP Vandal Proof Secured Top | <ul style="list-style-type: none"> ___ -84 Stainless Steel Perforated Gravel Guard ___ -89 2 [51] High External Water Dam ___ -90 90° Threaded Side Outlet Body
(2 [51] - 3 [76]) (Previously Z126) |
|---|--|

* REGULARLY FURNISHED UNLESS OTHERWISE SPECIFIED
** WEIGHT MAY VARY DEPENDING ON BODY TYPE.

REV.	DATE: 10/26/12	C.N. NO. 124891
DWG. NO. 310739		PRODUCT NO. Z125-106