



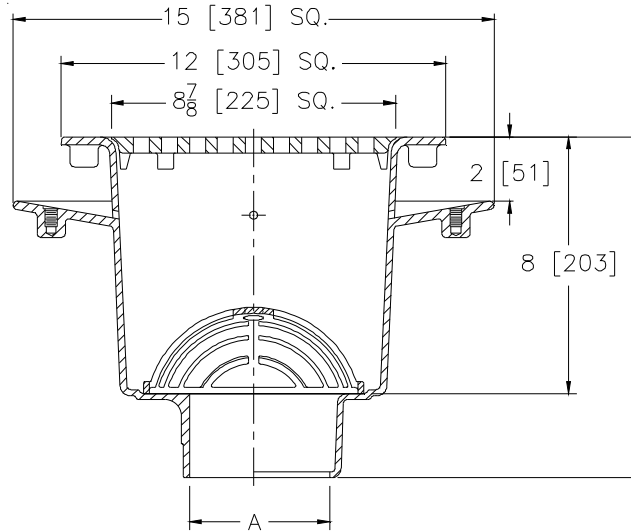
# Z1901-K

12 X 12 [305 X 305] A.R.E. SANI-FLOR RECEPTOR  
8 [203] SUMP DEPTH W/ ANCHOR FLANGE

SPECIFICATION SHEET

TAG \_\_\_\_\_

Dimensional Data (inches and [ mm ]) are Subject to Manufacturing Tolerances and Change Without Notice



A- Pipe Size In. [mm]	Approx Wt. Lbs. [kg]	Grate Open Area Sq. In. [cm <sup>2</sup> ]
2, 3, 4 [51, 76, 102]	44 [20]	31 [200]

### ENGINEERING SPECIFICATION: ZURN Z1901-K

Sani-Flor Receptor 12" x 12" x 8" [305mm x 305mm x 203mm] deep cast iron body with anchor flange and seepage holes, square slotted light duty grate, with white acid resisting porcelain enamel interior and top, black ground enamel exterior coating, and white ABS anti-splash interior bottom dome strainer.

### OPTIONS (Check/specify appropriate options)

#### PIPE SIZE

- 3, 4 [76, 102]
- 2, 3, 4 [51, 76, 102]
- 2, 3, 4 [51, 76, 102]

#### (Specify size/type) OUTLET

- \_\_\_ IC Inside Caulk
- \_\_\_ NH No-Hub
- \_\_\_ NL Neo-Loc

#### 'E' BODY HT. DIMENSION

Z	ZN / ZS
10-5/8 [270]	11-1/8 [283]
10-5/8 [270]	11-1/8 [283]
10 [254]	10-1/2 [267]

### PREFIXES

- \_\_\_ Z Cast Iron Body with White A.R.E. Interior\*
- \_\_\_ ZN Cast Iron Body with White A.R.E. Interior, 12-1/2 [318] Square Nickel Bronze Frame and Full Grate with 1/2 [13] Openings
- \_\_\_ ZS Cast Iron Body with White A.R.E. Interior, 12-1/2 [318] Square Stainless Steel Frame and Full Grate with 1/2 [13] Openings

### SUFFIXES

- |  |  |
|--|--|
| ___ -DX Dex-O-Tex Flange (ZN only)   | ___ -6 Grate w/ 6 [152] Dia. x 6 [152] High Funnel                     |
| ___ -HD Stainless Steel Frame w/ Extra Heavy-Duty Stainless Steel Grate (ZS only)            | ___ -7 Grate w/ 6-3/4 x 3 x 1 [171 x 76 x 25] High Oval Funnel         |
| ___ -HP Heel-Proof Grate (ZN only)   | ___ -8 Grate w/ 8-7/8 x 3-5/8 x 3-3/4 [225 x 92 x 95] High Oval Funnel |
| ___ -LD (Less) Bottom Dome Strainer  | ___ -11 Vandal-Proof Secured Top (ZN & ZS only)                        |
| ___ -P 1/2 [13] Trap Primer Connection (See Z1023)   | ___ -15 Solid Loose Set Cover (Z & ZN Only)                            |
| ___ -TC Neo-Loc Test Cap Gasket (2, 3, 4 [51, 76, 102] NL Bottom Outlet Only)                | ___ -19 Full Hinged Grate (ZN only)                                    |
| ___ -VPS Vandal-Proof Strainer   | ___ -23 Aluminum Bucket  |
| ___ -1 (Less) Grate  | ___ -25 White A.R.C. Bucket  |
| ___ -2 1/2 Grate   | ___ -31 Stainless Steel Mesh Liner for Bucket                          |
| ___ -3 3/4 Grate   | ___ -32 Aluminum Dome Strainer   |
| ___ -4 Full Grate w/ Center Opening (2 [51] Dia. for Z) and (3-1/32 [77] Square for ZN & ZS) | ___ -33 White A.R.C. Anti-Splash Bottom Dome Strainer                  |

\* Regularly furnished unless otherwise specified.