

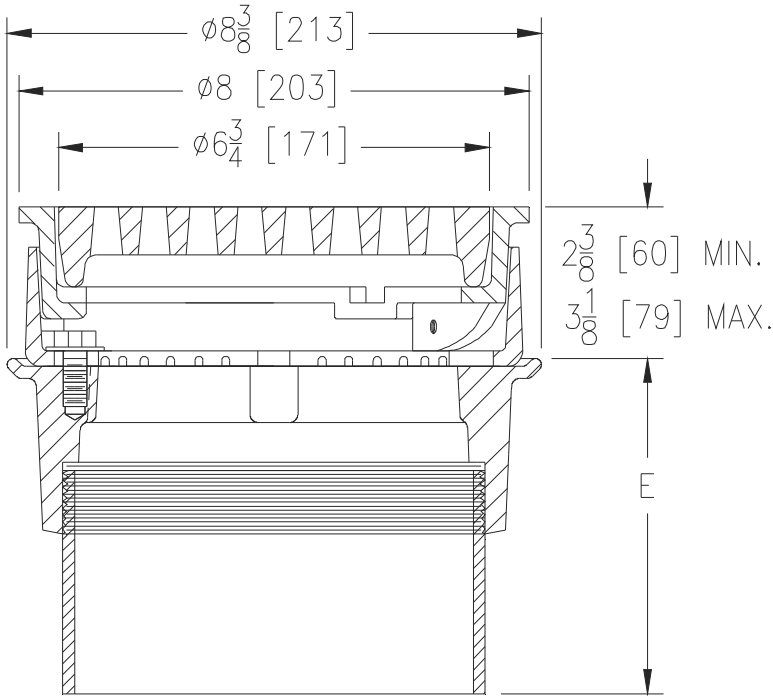


Z556-78

8 [203] ADJUSTABLE HEAVY-DUTY DRAIN W/ 6 [152] NO-HUB OUTLET

TAG _____

Dimensional Data (inches and [mm]) are Subject to Manufacturing Tolerances and Change Without Notice



A - Pipe Size Inches [mm]	Approx. Wt. Lbs. [kg]	Grate Open Area Sq. In. [cm ²]
6 [152]	19 [9]	11 [71]

ENGINEERING SPECIFICATION: ZURN Z556-78

8 [203] Diameter top drain, Dura-Coated cast iron body with bottom outlet, seepage pan and combination membrane flashing clamp and frame for adjustable extension with heavy-duty slotted cast iron grate.

OPTIONS (Check/specify appropriate options)

PIPE SIZE

6 [152]

(Specify size/type) **OUTLET**

_____ NH No-Hub

'E' BODY HT. DIM.

5-1/4 [133]

PREFIXES

- _____ Z D.C.C.I. Body and Top*
- _____ ZN D.C.C.I. Body with Polished Nickel Bronze Top (Add 3/16 [5] to 2-3/8 [60] - 3-1/8 [79] Dim.)

SUFFIXES

- _____ -AR Acid Resisting Epoxy Coated Cast Iron
- _____ -G Galvanized Cast Iron
- _____ -P Trap Primer Connection
- _____ -TS Top Secured with Slotted Screws
- _____ -V Backwater Valve (See Z1099)
- _____ -VP Vandal-Proof Secured Top
- _____ -Y Bucket

REV.	DATE: 01/04/13	C.N. NO. 128630
DWG. NO. 311174	PRODUCT NO. Z556-78	

*REGULARLY FURNISHED UNLESS OTHERWISE SPECIFIED