



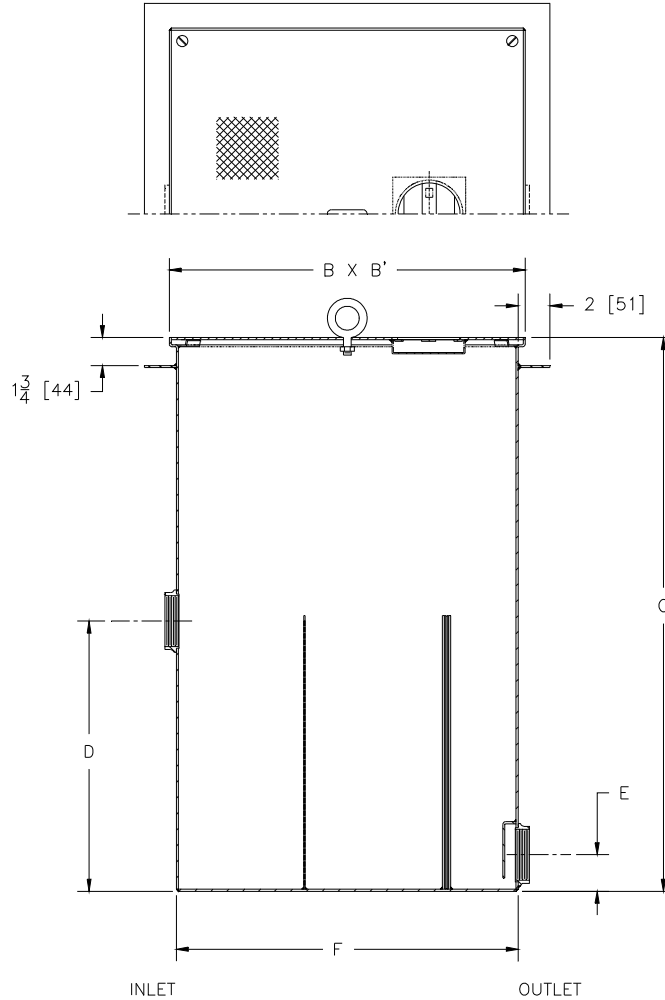
Z-1185-88

LINT INTERCEPTOR W/ INTEGRAL EXTENSION & ANCHOR FLANGE

SPECIFICATION SHEET

TAG _____

Dimensional Data (inches and [mm]) are Subject to Manufacturing Tolerances and Change Without Notice



Size No. of Machines	Inlet/Outlet Size**	Flow Rate G.P.M. [L]	Approx. Wt. Lbs. [kg]	Dimensions In Inches					
				B	B'	C	D	E	F
7	3 [75]	70 [265]	215 [98]	25 [635]	25 [635]	32 [813]	17 [432]	3 1/4 [82]	25 1/2 [648]

ENGINEERING SPECIFICATION: ZURN Z-1185-88 Acid Resistant Coated interior and exterior fabricated steel lint interceptor with integral extension and anchor flange, non-skid secured cover with lift ring, stainless lint intercepting secondary screen assembly and permanent primary straining baffle. Regularly furnished with high inlet and low outlet.

OPTIONS (Check/specify appropriate options)

PREFIXES

_____ Z- Acid Resistant Coated Fabricated Steel*

SUFFIXES

_____ RS- Stainless Steel Screen Replacement Assembly

REV.	DATE: 7/9/01	C.N. NO. 87723
DWG. NO. P-14837 PRODUCT NO. Z-1185-88		

*REGULARLY FURNISHED UNLESS OTHERWISE SPECIFIED