



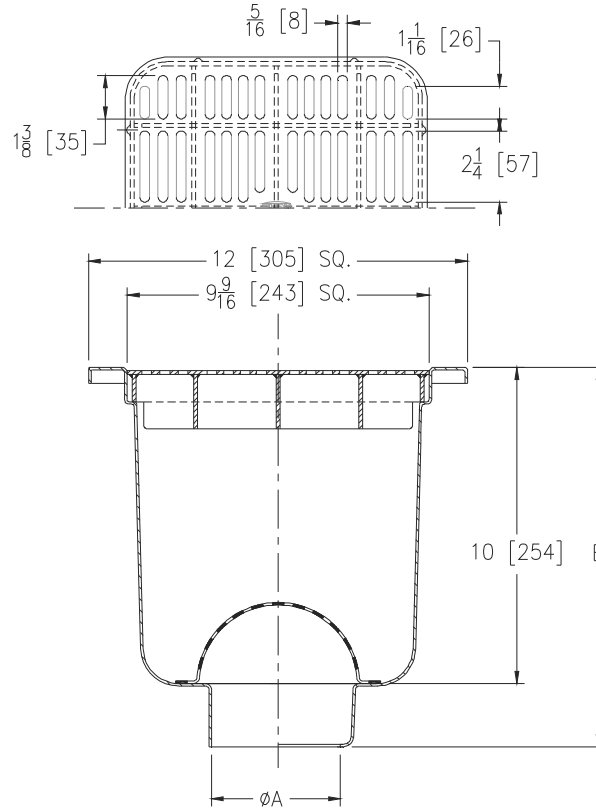
Z1752-150

12X12 [305X305] SANI-FLOR RECEPTOR 10 [254]
SUMP DEPTH W/ SLOTTED GRATE

SPECIFICATION SHEET

TAG _____

Dimensional Data (inches and [mm]) are Subject to Manufacturing Tolerances and Change Without Notice



A- Pipe Size In.	Approx. Wt. Lbs. [kg]	Grate Open Area Sq. In. [cm ²]
2,3,4 [51,76,102]	22 [10]	30 [193]
6 [152]	23 [10]	30 [193]

ENGINEERING SPECIFICATION: ZURN Z1752
12" x 12" x 10" [305mm x 305mm x 254mm] deep, 16 gage, All Type 304 (CF8) Stainless Steel light-duty Sani-Flor receptor with non-tilt, loose set full grate with 5/16" [7.9mm] slot openings and anti-splash stainless steel interior dome strainer.

OPTIONS (Check/specify appropriate options)

PIPE SIZE

- 2,3,4 [51,76,102]
- 2 [51]
- 3 [76]
- 4 [102]
- 2,3,4, 6 [51,76,102,152]
- 2,3,4 [51,76,102]

(Specify size/type) **OUTLET**

- _____ IC Inside Caulk
- _____ IP Threaded
- _____ IP Threaded
- _____ IP Threaded
- _____ NH No-Hub
- _____ NL Neo-Loc

'E' BODY HT. DIM.

- 12-9/16 [319]
- 11-5/16 [287]
- 11-9/16 [294]
- 12-1/16 [306]
- 12-1/16 [306]
- 11-13/16 [300]

PREFIXES

- _____ Z Type 304 (CF8) Stainless Steel Body*
- _____ ZM Type 316 (CF8M) Stainless Steel

SUFFIXES

- | | |
|--|---|
| _____ -DX Dex-o-tex Flange | _____ -VP Vandal-Proof Secured Top |
| _____ -K Anchor Flange | _____ -Y Sediment Bucket |
| _____ -KC Anchor Flange w/ Seepage Holes and Clamp Collar | _____ -YS Suspended Sediment Bucket |
| _____ -LSH (Less) Seepage Holes | _____ -5 Grate w/ 4 [102] Dia. x 3-3/4 [95] High Type 304 Stainless Steel Funnel |
| _____ -P 1/2 [13] Trap Primer Connection | _____ -8 Grate w/ 8-3/8 x 3-5/8 x 3-3/4 [213 x 92 x 95] High Type 304 Stainless Steel Oval Funnel |
| _____ -SG Solid Gasketed Cover | |
| _____ -TC Neo-Loc Test Cap Gasket (2 - 4 [51 - 102] NL Bottom Outlet Only) | |

* Regularly furnished unless otherwise specified.