

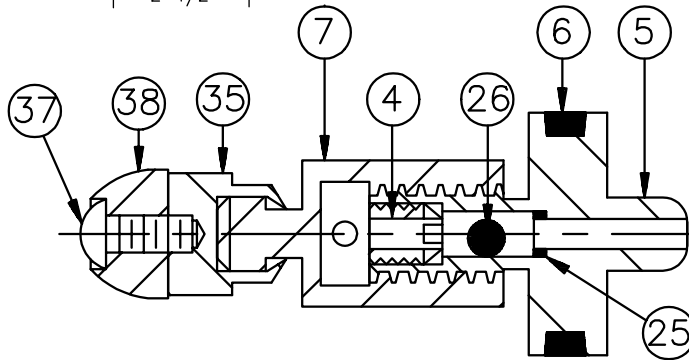
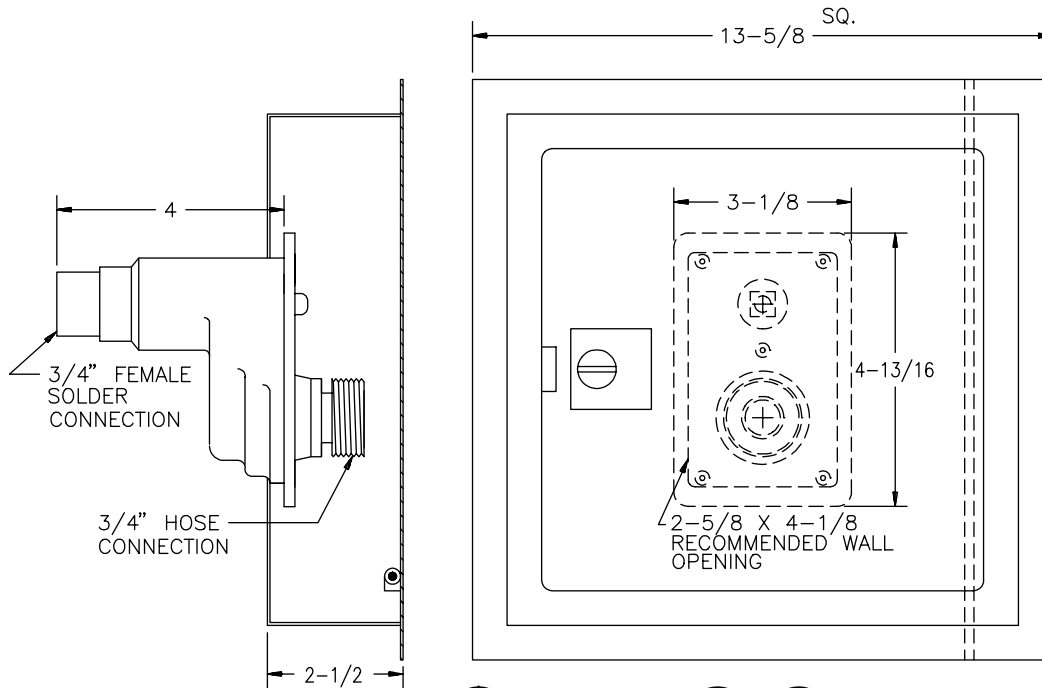


# Z-1333-76 ECOLOTROL WALL HYDRANT

Exposed, Anti-Siphon, Automatic  
Draining, Moderate Climate

TAG \_\_\_\_\_

Dimensions Subject to Manufacturing Tolerances



INTERNAL PARTS

Wall Thickness In Inches	Approx. Wt. Lbs.
6	11

**ENGINEERING SPECIFICATION:** ZURN Z-1333 Exposed Ecolotrol "anti-siphon" wall hydrant, for moderate climate and interior wall installation. Complete with integral backflow preventer, all bronze interior parts, non-turning operating coupling with hemispherical neoprene plunger and 3/4" solder inlet. Stainless steel box and continuous piano type hinged cover with latch type lock.

**PARTS LIST**

OPTIONS (Check/specify appropriate options)

**SUFFIXES**

- \_\_\_\_\_ -RK Hydrant Parts Repair Kit
- \_\_\_\_\_ -1 3/4" IP Straight Female Inlet Adapter
- \_\_\_\_\_ -6 Bronze Box
- \_\_\_\_\_ -13 3/4" IP 90° Inlet Elbow with Union Nut
- \_\_\_\_\_ -AQD With Opening in Box for Air Quick Disconnect Pipe

Item	Name	Quan.
4	Screw	1
5	Operating Screw	1
6	O-Ring	1
7	Operating Coupling	1
25	O-Ring	1
26	Ball	1
35	Washer Guide	1
37	Screw	1
38	Plunger	1

\* When ordering replacement parts specify Y dim.

REV.	DATE: 9/10/91	C.N. NO. 67806
DWG. NO. P-13641	PRODUCT NO. Z-1333-76	