



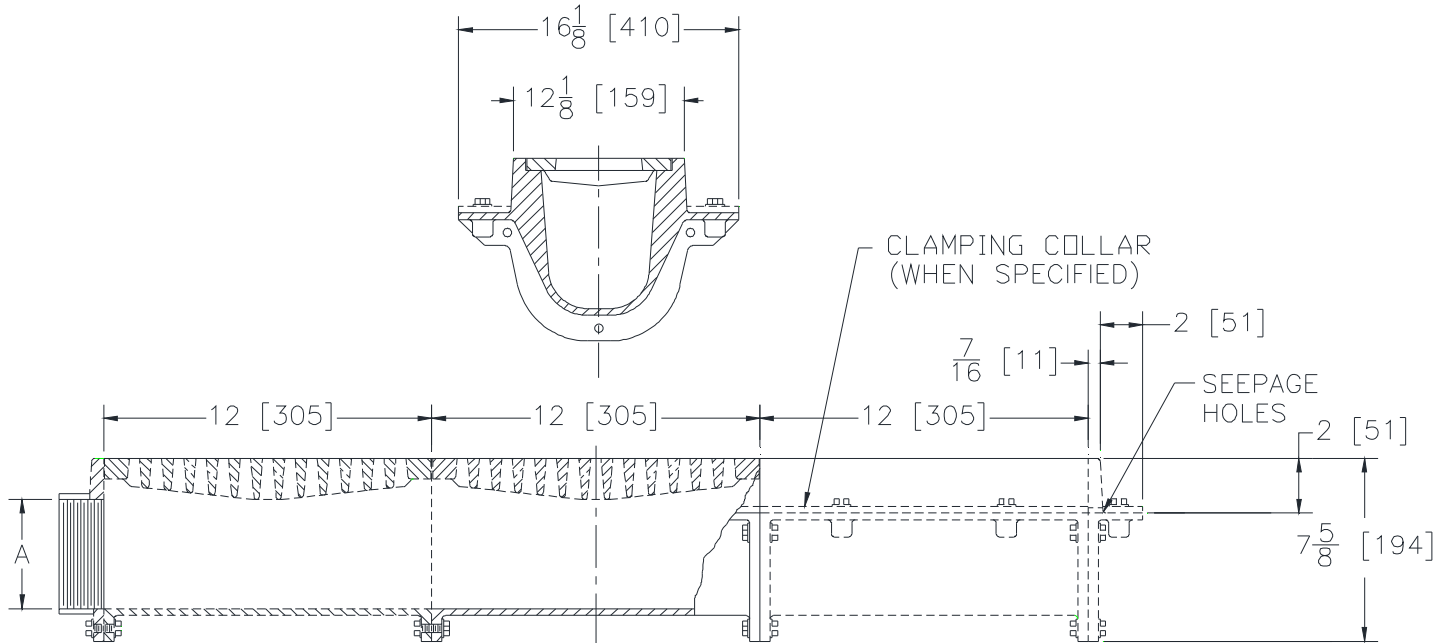
# Z665-M

## 12 [305] WIDE MODULAR TRENCH DRAIN HEAVY-DUTY WITH SIDE OUTLET ADAPTER

SPECIFICATION SHEET

TAG \_\_\_\_\_

Dimensional Data (inches and [ mm ]) are Subject to Manufacturing Tolerances and Change Without Notice



A- Pipe Size Inches	Approx. Wt. Lbs.	Grate Open Area Sq. In.
3-4 [76-102]	100 [45]	35 [226]

### ENGINEERING SPECIFICATION Z665-M

12 [305] Wide top modular trench drain, Dura-Coated cast iron deep sump body with side outlet. Both 12 [305] long outlet module and 12 [305] extension module are complete with integral seepage pan and heavy-duty loose slotted grate with side outlet adapter.

### OPTIONS (Check/specify appropriate options)

#### PIPE SIZE

3, 4 [76-102]  
3, 4 [76-102]

#### (Specify size/type) OUTLET

\_\_\_\_\_ IP Threaded  
\_\_\_\_\_ NH No-Hub (IP w/ Z1040)

#### PREFIXES

\_\_\_\_\_ Z D.C.C.I. Body and Grate\*  
\_\_\_\_\_ ZB D.C.C.I. Body w/Polished Bronze Grate (Add 3/16 [5] to 7-5/8 [194] & 2 [51] Dimensions)  
\_\_\_\_\_ ZN D.C.C.I. Body w/Polished Stainless Steel Top (Add 3/16 [5] to 7-5/8 [194] & 2 [51] Dimensions)

#### SUFFIXES

\_\_\_\_\_ -AR Acid Resisting Epoxy Coated Finish (Per. Section)  
\_\_\_\_\_ -C Clamp Collar (Per Section)  
\_\_\_\_\_ -DG Duresist Grate  
\_\_\_\_\_ -ES 12 [305] Extension Section (Specify Number of Sections Required)  
\_\_\_\_\_ -G Galvanized Cast Iron  
\_\_\_\_\_ -HP Heel-Proof Grate (ZB & ZN Only; Per Section)  
\_\_\_\_\_ -SQ Square Slotted Medium-Duty Grate  
\_\_\_\_\_ -TS Top Secured with Slotted Screws  
\_\_\_\_\_ -VP Vandal Proof Secured Top

REV. B DATE: 05/20/13 C.N. NO. 129391

PROD./DWG. NO. Z665-M

\*REGULARLY FURNISHED UNLESS OTHERWISE SPECIFIED

ZURN INDUSTRIES, LLC. ♦ SPECIFICATION DRAINAGE OPERATION ♦ 1801 Pittsburgh Ave. ♦ Erie, PA 16514

Phone: 814/455-0921 ♦ Fax: 814/454-7929 ♦ World Wide Web: www.zurn.com

In Canada: ZURN INDUSTRIES LIMITED ♦ 3544 Nashua Drive ♦ Mississauga, Ontario L4V1L2 ♦ Phone: 905/405-8272 Fax: 905/405-1292