



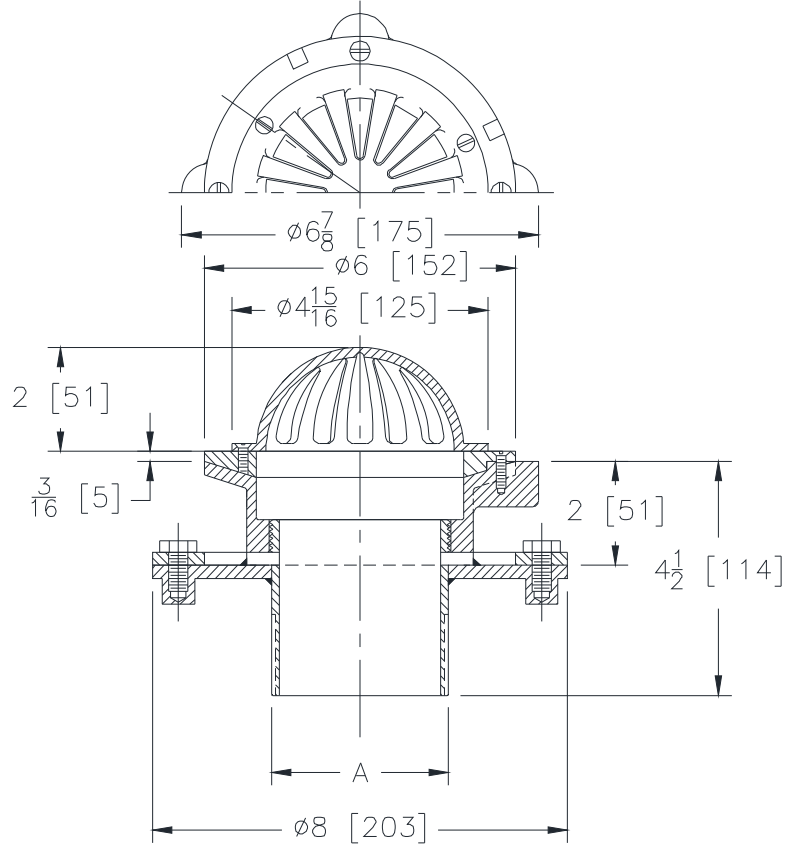
Z181-90

SPECIFICATION SHEET

6 [152] DIAMETER CORNICE DRAIN BOTTOM OUTLET W/ ANCHOR FLANGE & NO-HUB OUTLET

TAG _____

Dimensional Data (inches and [mm]) are Subject to Manufacturing Tolerances and Changes Without Notice



A- Pipe Size In.	Approx. Wt. Lbs. [kg]	Dome Open Area Sq. In. [cm ²]
3 [76]	10 [5]	12 [72]

ENGINEERING SPECIFICATION: ZURN ZRB181-90
 6 [152] Diameter by 4-1/2 [114] High Cornice drain, Dura-Coated cast iron body, plain bronze dome and membrane flashing clamp, secondary anchor flange with weep holes, clamp collar, and No-Hub adapter.

OPTIONS (Check/specify appropriate options)

PIPE SIZE _____ (Specify size/type) **OUTLET**

3 [76] _____ NH No-Hub

PREFIXES

- ___ ZRB D.C.C.I. Body with Plain Bronze Dome*
- ___ ZB D.C.C.I. Body with Polished Bronze Dome
- ___ ZN D.C.C.I. Body with Polished Nickel Bronze Dome

SUFFIXES

- ___ -BS Bronze Mesh Screen Over Dome
- ___ -FS Flat Strainer
- ___ -G Galvanized Cast Iron
- ___ -HD 5 3/4 [146] High Dome
- ___ -VP Vandal Proof Secured Top
- ___ -8 8 [203] High Body

REV.	DATE: 02/05/13	C.N. NO. 128754
DWG. NO. 311618	PRODUCT NO. Z181-90	

*REGULARLY FURNISHED UNLESS OTHERWISE SPECIFIED