



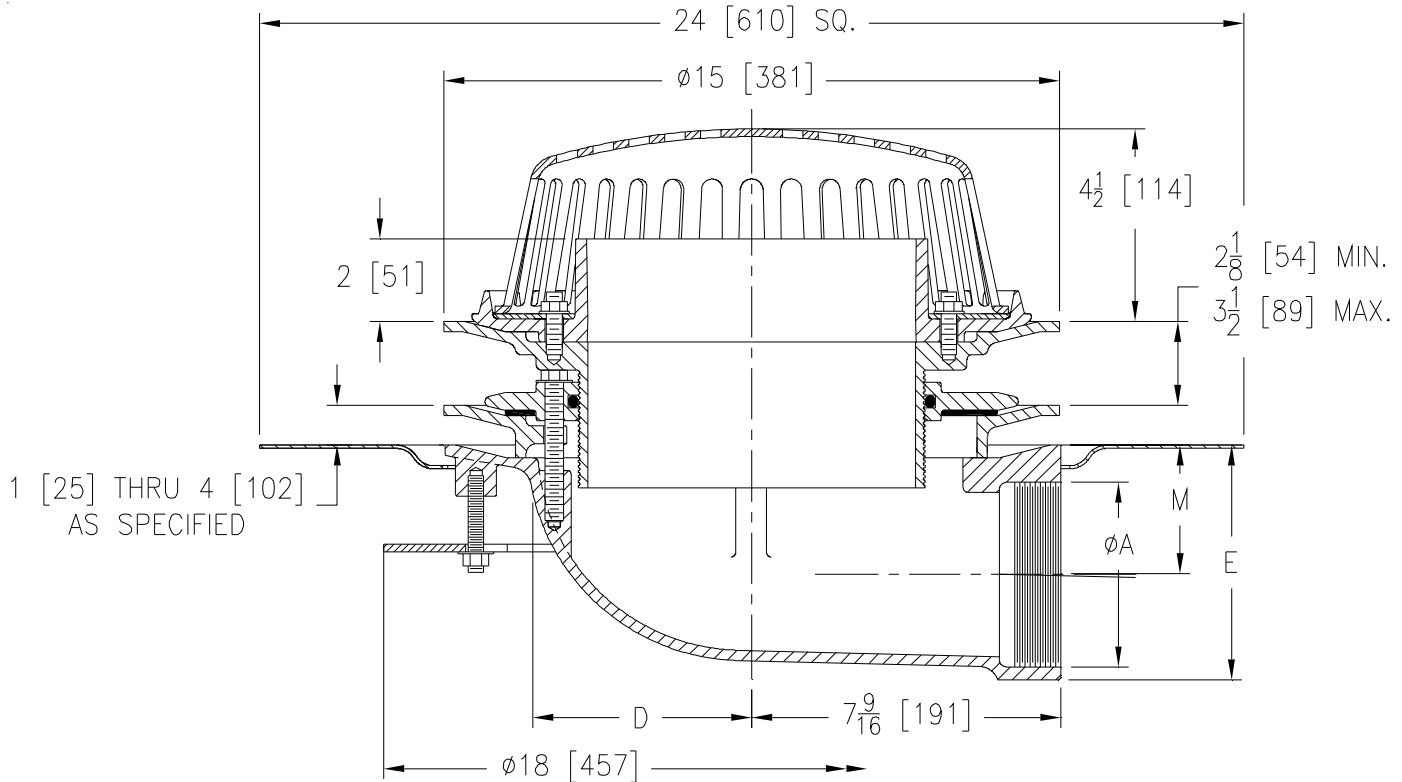
Z100-C-E-EA-R-W2-90

15 [381] DIAMETER SIDE OUTLET BODY W/ UNDERDECK CLAMP, EXTENSION, ADJUSTABLE EXTENSION, ROOF SUMP RECEIVER, AND 2 [51] INTERNAL WATER DAM

SPECIFICATION SHEET

TAG _____

Dimensional Data (inches and [mm]) are Subject to Manufacturing Tolerances and Change Without Notice



Dimensions in inches [mm]			Approx Wt. lbs [kg]	Dome Open Area in ² [cm ²]
A Pipe Size	D	M		
2 [51]	5-1/2 [140]	4-1/4 [108]	46 [21]	103 [665]
3 [76]		3-3/4 [95]	47 [21]	
4 [102]		3-1/4 [83]	48 [22]	
6 [152]	5-7/8 [149]	4-1/4 [108]	52 [24]	

ENGINEERING SPECIFICATION: ZURN Z100-C-E-EA-R-W2-90

15" [381mm] Diameter side outlet body. Dura-Coated cast iron body with underdeck clamp, static extension, adjustable extension assembly, roof sump receiver & 2" [51mm] high internal water dam.

OPTIONS (Check/specify appropriate options)

PIPE SIZE

2,3,4 [51,76,102]
6 [152]

(Specify size) OUTLET

_____ IP Threaded
_____ IP Threaded

E BODY HT. DIM.

5-3/4 [146]
7-7/8 [200]

PREFIXES

_____ Z D.C.C.I. Body with poly-Dome*
 _____ ZA D.C.C.I. Body with 6 3/4 [171] High Aluminum Dome
 _____ ZC D.C.C.I. Body with Cast iron Dome
 _____ ZRB D.C.C.I. Body with Plain Bronze Dome

SUFFIXES

_____ -AR Acid Resistant Epoxy Coated
 _____ -G Galvanized Cast Iron
 _____ -HD 6-3/4 [171] High Aluminum Dome (148 sq. in. [955 cm²] open area)
 _____ -SC Secondary Clamping Collar
 _____ -SS Stainless Mesh Screen Over Dome
 _____ -ST Dome w/ Solid Top (ZA and ZC Only)
 _____ -VP Vandal Proof Secured Top
 _____ -84 Stainless Steel Perforated Gravel Guard

* Regularly furnished unless otherwise specified.