



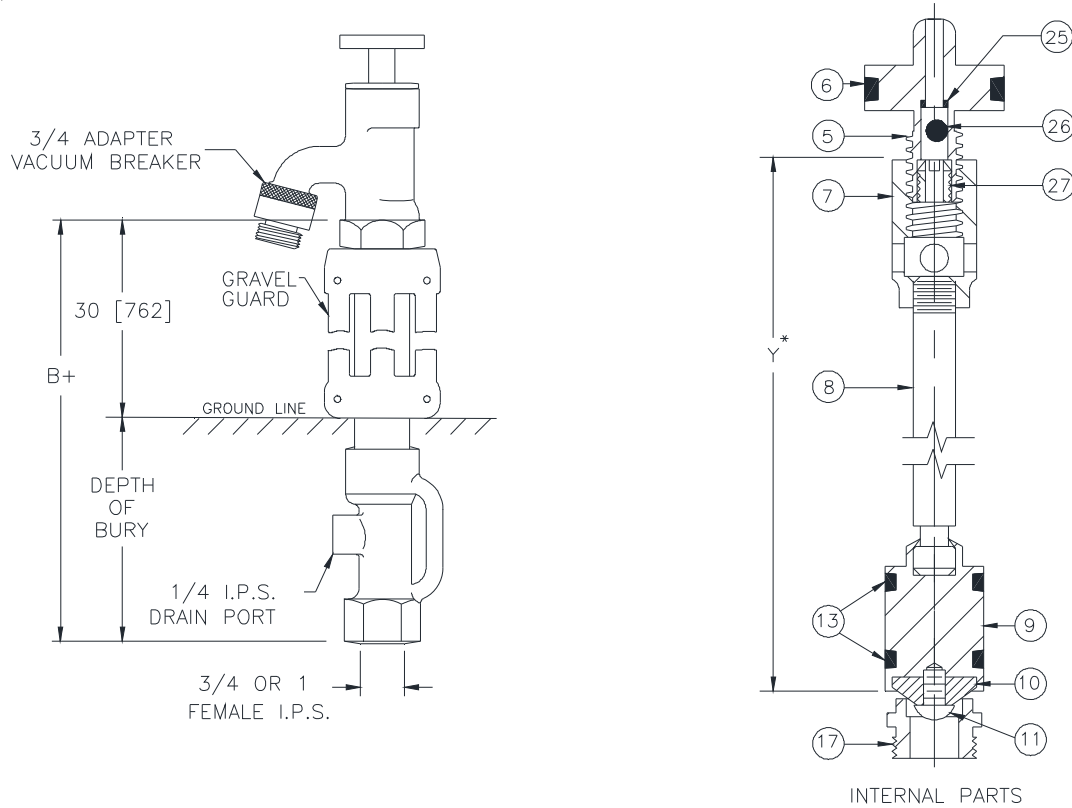
# Z1385-VB

## POST HYDRANT W/ ADAPTER VACUUM BREAKER EXPOSED HEAD, NON-FREEZE

SPECIFICATION SHEET

TAG \_\_\_\_\_

Dimensional Data (inches and [ mm ]) are Subject to Manufacturing Tolerances and Change Without Notice



Depth of Bury Feet	B+ Dim. Feet	Approx. Wt. Lbs. [kg]
2 [610]	4-1/2 [1372]	25 [11]
3 [914]	5-1/2 [1676]	29 [13]
4 [1219]	6-1/2 [1981]	33 [15]
5 [1524]	7-1/2 [2286]	37 [17]
6 [1829]	8-1/2 [2591]	41 [19]
7 [2134]	9-1/2 [2896]	45 [20]
8 [2438]	10-1/2 [3200]	49 [22]

### ENGINEERING SPECIFICATION: ZURN Z1385-VB

Exposed, non-freeze post hydrant. Complete with galvanized steel casing and cast aluminum casing guard, all bronze interior parts, bronze seat and replaceable seat washer, non-turning operating rod with free-floating compression closure valve, 3/4" adapter vacuum breaker, and air-relief operating screw. Operating key included. Hydrant is equipped with a tapped 1/4" drain port in valve housing.

#### Note:

- 'B' dim. based on outlet connection 30" [762mm] above ground.
- IMPORTANT** Hydrant must be opened one turn to seal drain port during use.
- \*\* Non-Freeze feature will not automatically function when (-VB suffix) vacuum breaker is specified. The vacuum breaker must be manually tripped to facilitate drainage of hydrant.

### PARTS LIST

Item	Name	Quan.
5	Operating Screw	1
6	O-Ring	1
7	Operating Coupling	1
8	Operating Rod	1
9	Washer Guide	1
10	Washer (neoprene)	1
11	Screw	1
13	O-Ring	2
17	Removable Seat	1
25	O-Ring	1
26	Ball	1
27	Set Screw	1

**OPTIONS** (Check/specify appropriate options)

#### SUFFIXES

- \_\_\_\_\_ -RK Hydrant Parts Repair Kit
- \_\_\_\_\_ -WH Wheel Handle

\* Regularly furnished unless otherwise specified.