



# Z1201-N-123

BARIATRIC CARRIER - 1000 lbs [454 kg] FOR WALT DISNEY WORLD EZCARRY® ADJUSTABLE HORIZONTAL HIGH PERFORMANCE SIPHON JET NO-HUB WATER CLOSET CARRIER SYSTEM W/ NOTCHED FRAME FOR BACKSPUD FIXTURES

SPECIFICATION SHEET

TAG \_\_\_\_\_

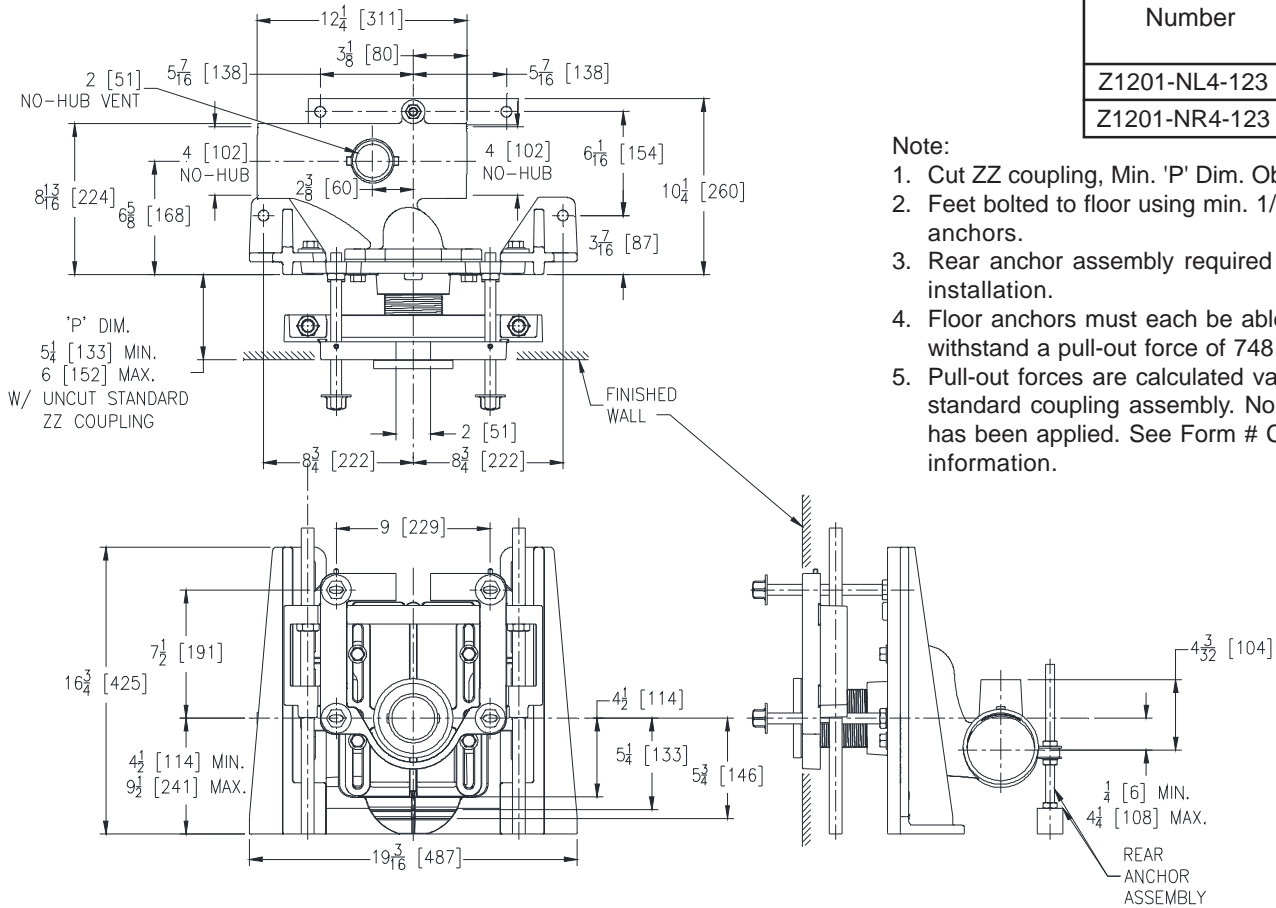
Dimensional Data (inches and [mm]) are Subject to Manufacturing Tolerances and Change Without Notice

### Z1201-NR4-123 Illustrated

Product Number	Approx. Wt. lbs [kg]
Z1201-NL4-123	100 [45]
Z1201-NR4-123	

#### Note:

1. Cut ZZ coupling, Min. 'P' Dim. Obtainable = 3 [76]
2. Feet bolted to floor using min. 1/2 [13] dia. anchors.
3. Rear anchor assembly required for secure installation.
4. Floor anchors must each be able to withstand a pull-out force of 748 lbs [339 kg].
5. Pull-out forces are calculated values with standard coupling assembly. No safety factor has been applied. See Form # C38 for more information.



### ENGINEERING SPECIFICATION: ZURN Z1201-N-123

EZCarry® Bariatric horizontal siphon jet water closet carrier system, with high performance Dura-Coated cast iron main fitting with hydro-mechanically optimized sweep, 4" [102 mm] no-hub connections, and extended 2" [51 mm] vent. Corrosion resistant, adjustable 3" [76mm] X 6" [102mm] cast iron coupling, designed to increase flow velocity and line carry, and labor saving "Neo-Seal" bonded gasket optimizes flow performance while reducing installation steps. Complete system includes an adjustable, gasketed faceplate; floor mounted foot supports; rigid support frame assembly; extra-heavy-duty 1/2" [13 mm] rear anchor tie down; stainless steel fixture bolts and hardware, trim, and stud protectors. EZCarry® XB system complies with all applicable requirements of ASME A112.6.1M up to a 1000 lbs [454 kg] maximum static load.

### OPTIONS (Check/specify appropriate options)

- \_\_\_ Z1201-NL4-123 4 [102] No-Hub Left Hand Inlet with Flow to Right  
 \_\_\_ Z1201-NR4-123 4 [102] No-Hub Right Hand Inlet with Flow to Left

### PREFIXES

- \_\_\_ Z D.C.C.I. System with Zurn ZZ Adjustable Coupling\*

### SUFFIXES

- \_\_\_ -CC Corrosion Resistant Cast Iron Coupling (2-1/4 to 12 [57 to 305])  
 \_\_\_ -G Galvanized Cast Iron  
 \_\_\_ -JC 2 [51] Auxiliary Inlet with 1/8 [3] Bend  
 \_\_\_ -VP Vandal-Proof Trim  
 \_\_\_ -50 Flush Valve Supply Support for Water Closets

\* Regularly furnished unless otherwise specified.

Zurn Industries, LLC | Specification Drainage Operation  
 1801 Pittsburgh Avenue, Erie, PA U.S.A. 16502 · Ph. 855-663-9876, Fax 814-454-7929  
 In Canada | Zurn Industries Limited  
 3544 Nashua Drive, Mississauga, Ontario L4V 1L2 · Ph. 905-405-8272, Fax 905-405-1292  
[www.zurn.com](http://www.zurn.com)

Rev. A  
 Date: 01/25/17  
 C.N. No. 136155  
 Prod. | Dwg. No. Z1201-N-123