



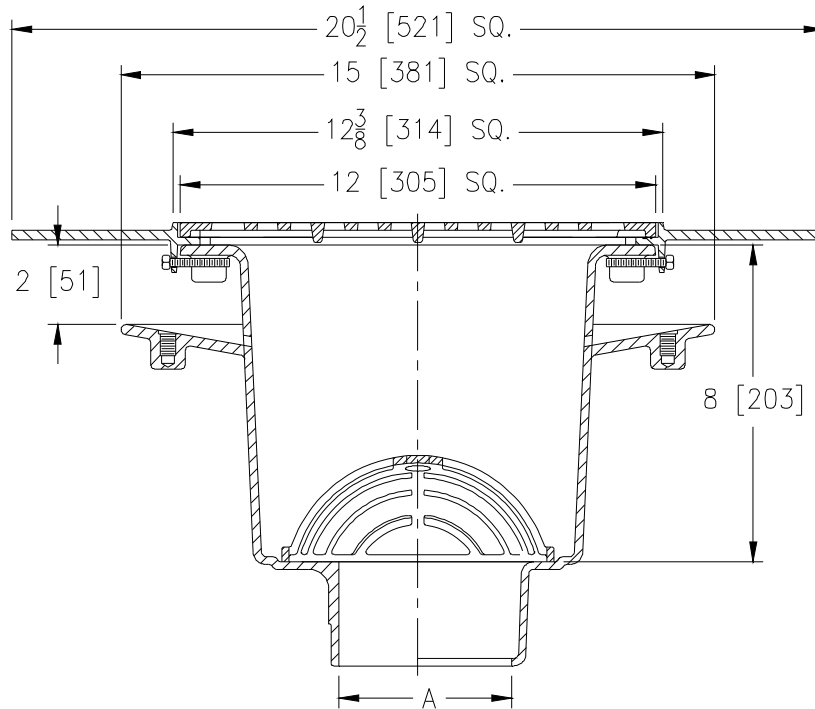
ZN1901-DX-K

12-3/8 X 12-3/8 [314 X 314] A.R.E. SANI-FLOR RECEPTOR
 8 [203] SUMP DEPTH W/ DEX-O-TEX FLANGE, FLANGE
 W/ SEEPAGE HOLES AND N.B. FRAME AND GRATE

SPECIFICATION SHEET

TAG _____

Dimensional Data (inches and [mm]) are Subject to Manufacturing Tolerances and Change Without Notice



A- Pipe Size In. [mm]	Approx Wt. Lbs. [kg]	Grate Open Area Sq. In. [cm ²]
2, 3, 4 [51, 76, 102]	34 [15]	44 [284]

ENGINEERING SPECIFICATION: ZURN ZN1901-DX-K

Sani-Flor Receptor 12-3/8" x 12-3/8" x 8" [314mm x 314mm x 203mm] deep cast iron body with seepage flange and seepage holes, white acid resisting porcelain enamel interior, black ground enamel exterior coating, nickel bronze frame with dex-o-tex flange and nickel bronze grate, complete with white ABS anti-splash interior bottom dome strainer.

OPTIONS (Check/specify appropriate options)

PIPE SIZE

- 3, 4 [76, 102]
- 2, 3, 4 [51, 76, 102]
- 2, 3, 4 [51, 76, 102]

(Specify size/type) **OUTLET**

- _____ IC Inside Caulk
- _____ NH No-Hub
- _____ NL Neo-Loc

'E' DIMENSION

- 11-1/8 [283]
- 11-1/8 [283]
- 10-1/2 [267]

PREFIXES

- _____ ZN Cast Iron Body with White A.R.E. Interior, 12-3/8 [315] Square N.B. Frame and Full Grate with 1/2 [13] Square Openings.*

SUFFIXES

- | | |
|--|---|
| _____ -HP Heel-Proof Grate | _____ -11 Vandal-Proof Secured Top |
| _____ -LD (Less) Bottom Dome Strainer | _____ -15 Solid Loose Set Cover |
| _____ -P 1/2 [13] Trap Primer Connection (See Z1023) | _____ -23 Aluminum Bucket |
| _____ -SA Stabilizer Assembly (See Z1903) | _____ -25 White A.R.C. Bucket |
| _____ -TC Neo-Loc Test Cap Gasket | _____ -31 Stainless Steel Mesh Liner for Bucket |
| (2, 3, 4 [51, 76, 102] NL Bottom Outlet Only) | _____ -32 Aluminum Dome Strainer |
| _____ -VPS Vandal-Proof Strainer | _____ -33 White A.R.C. Anti-Splash Bottom Dome Strainer |
| _____ -2 1/2 Grate | |
| _____ -3 3/4 Grate | |
| _____ -4 Full Grate w/ Center Opening 3-1/32 [77] Square | |
| _____ -6 Grate w/ 6 [152] Dia. x 6 [152] High Funnel | |
| _____ -8 Grate w/ 8-7/8 x 3-5/8 x 3-3/4 [225 x 92 x 95] High Oval Funnel | |

* Regularly furnished unless otherwise specified.