



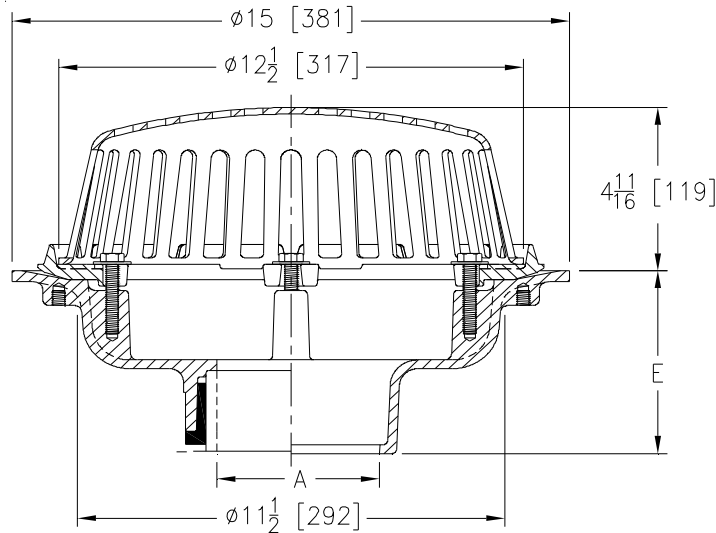
Z100-357

15 [381] DIAMETER MAIN ROOF DRAIN WITH STAINLESS STEEL GRAVEL GUARD & DOME

SPECIFICATION SHEET

TAG _____

Dimensional Data (inches and [mm]) are Subject to Manufacturing Tolerances and Change Without Notice



A Pipe Size In. [mm]	Approx. Wt. Lbs. [kg]	Dome Open Area Sq. In. [cm ²]
2,3,4 [51,76,102]	26 [12]	122 [787]
6 [152]	27 [12]	
8 [203]	28 [13]	

ENGINEERING SPECIFICATION: ZURN Z100-357

15" [381mm] Diameter roof drain. Dura-Coated cast iron body with stainless steel combination membrane flashing clamp/gravel guard, stainless steel dome strainer and stainless steel hardware.

OPTIONS (Check/specify appropriate options)

PIPE SIZE

- 3, 4, 6 [76,102,152]
- 2, 3, 4, 6, 8 [51,76, 102, 152, 203]
- 2, 3, 4, 6, 8 [51,76, 102, 152, 203]
- 2, 3, 4 [51,76,102]
- 6 [152]

(Specify size/type) OUTLET

- _____ IC Inside Caulk
- _____ IP Threaded
- _____ NH No-Hub
- _____ NL Neo-Loc
- _____ NL Neo-Loc

E BODY HT. DIM.

- 5-1/4 [133]
- 3-3/4 [95]
- 5-1/4 [133]
- 4-9/16 [116]
- 5-7/16 [112]

PREFIXES

- _____ Z D.C.C.I. Body with Type 304(CF8) Stainless Steel Gravel Guard & Dome Strainer*
- _____ ZM D.C.C.I. Body with Type 316(CF8M) Stainless Steel Gravel Guard & Dome Strainer

SUFFIXES

- | | |
|---|---|
| _____ -AC Angular Underdeck Clamp | _____ -SC Secondary Clamp Collar |
| _____ -AR Acid Resistant Epoxy Coated | _____ -SS Stainless Steel Mesh Screen Over Dome |
| _____ -AW 3/4 [19] to 4 [102] Adj. Water Level Regulator (Specify Height) (ZC Only) | _____ -ST Dome with Solid Top (ZA & ZC Only) |
| _____ -C Underdeck Clamp | _____ -TC Neo-Loc Test Cap Gasket (2, 3, 4 [51, 76, 102] NL Bottom Outlet Only) |
| _____ -DE Deck Extension | _____ -VP Vandal-Proof Secured Top |
| _____ -DP Top-Set® Deck Plate (Replaces both the -C and -R) | _____ -W2 2 [51] Internal Water Dam |
| _____ -DR Top-Set® Drain Riser | _____ -W3 3 [76] Internal Water Dam |
| _____ -E Static Extension 1 [25] thru 4 [102] (Specify Ht.) | _____ -W4 4 [102] Internal Water Dam |
| _____ -EA Adjustable Extension Assembly 2-1/8 [54] thru 3-1/2 [89] | _____ -84 Stainless Steel Perforated Gravel Guard |
| _____ -EB Top-Set® Adjustable Extension Assembly | _____ -85 Stainless Steel Perforated Extension |
| _____ -FG Flush Grate | _____ -89 2 [51] High External Water Dam |
| _____ -R Roof Sump Receiver | _____ -90 90° Threaded Side Outlet Body |

* Regularly furnished unless otherwise specified.

Zurn Industries, LLC | Specification Drainage Operation
 1801 Pittsburgh Avenue, Erie, PA U.S.A. 16502 · Ph. 855-663-9876, Fax 814-454-7929
 In Canada | Zurn Industries Limited
 3544 Nashua Drive, Mississauga, Ontario L4V 1L2 · Ph. 905-405-8272, Fax 905-405-1292
www.zurn.com

Rev. -
 Date: 11/02/2018
 C.N. No. 140797
 Prod. | Dwg. No. Z100-357