



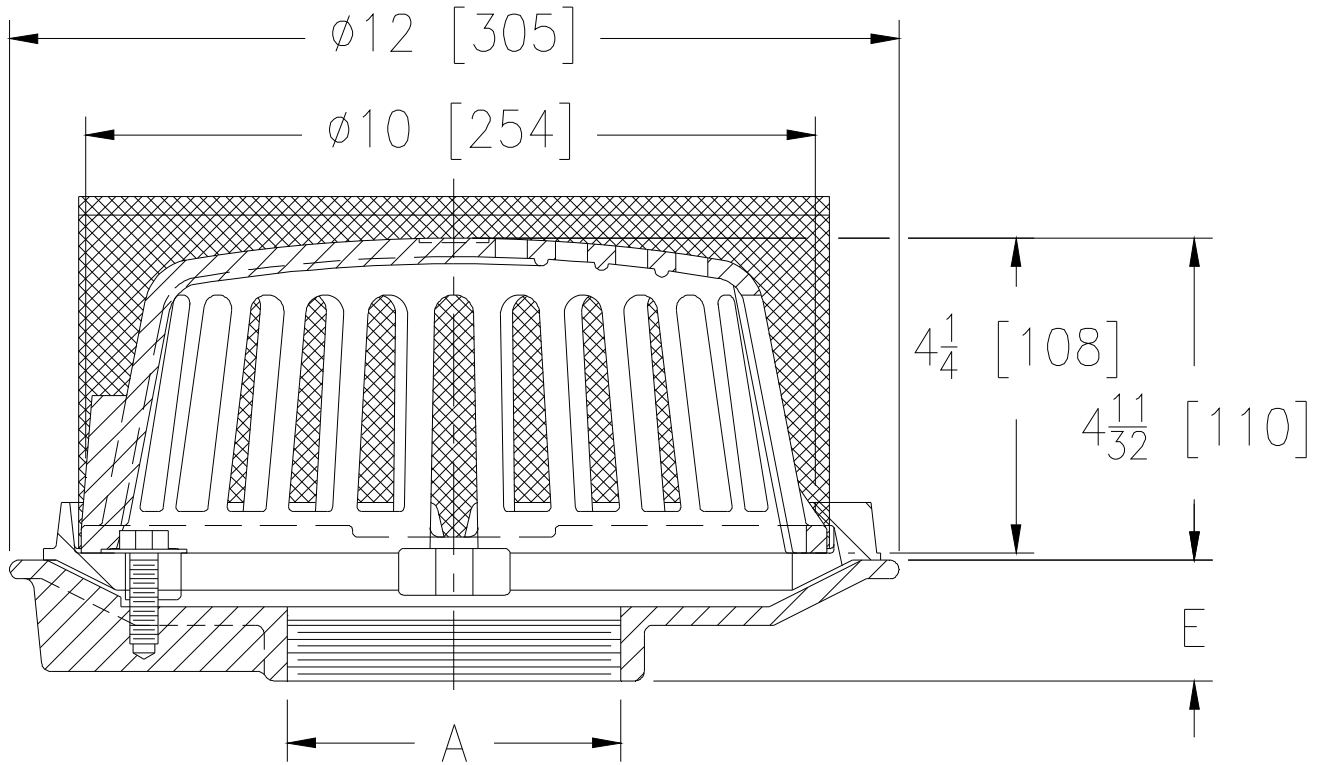
Z111-SS

12 [305] DIAMETER FLAT DECK ROOF DRAIN W/ STAINLESS STEEL SCREEN OVER DOME

SPECIFICATION SHEET

TAG _____

Dimensional Data (inches and [mm]) are Subject to Manufacturing Tolerances and Change Without Notice



A Pipe Size in [mm]	Approx Wt. lbs [kg]	Dome Open Area in ² [cm ²]
3,4 [76,102]	22 [10]	78 [503]
6 [152]	24 [11]	

ENGINEERING SPECIFICATION: ZURNZ111-SS

12" [305mm] Diameter Flat Deck roof drain for metal decks, Dura-Coated cast iron body with combination membrane flashing clamp/gravel guard and low silhouette cast iron dome with stainless mesh screen.

OPTIONS (Check/specify appropriate options)

PIPE SIZE

3,4 [76,102]
6 [152]

(Specify size/type) **OUTLET**

_____	IP	Threaded
_____	IP	Threaded

E BODY HT. DIM.

1-5/8 [41]
1-7/8 [48]

PREFIXES

_____ Z D.C.C.I. Body with Dome*

SUFFIXES

_____	-C	Underdeck Clamp
_____	-G	Galvanized Cast Iron
_____	-R	Roof Sump Receiver
_____	-VP	Vandal Proof Secured Top

* Regularly furnished unless otherwise specified.