

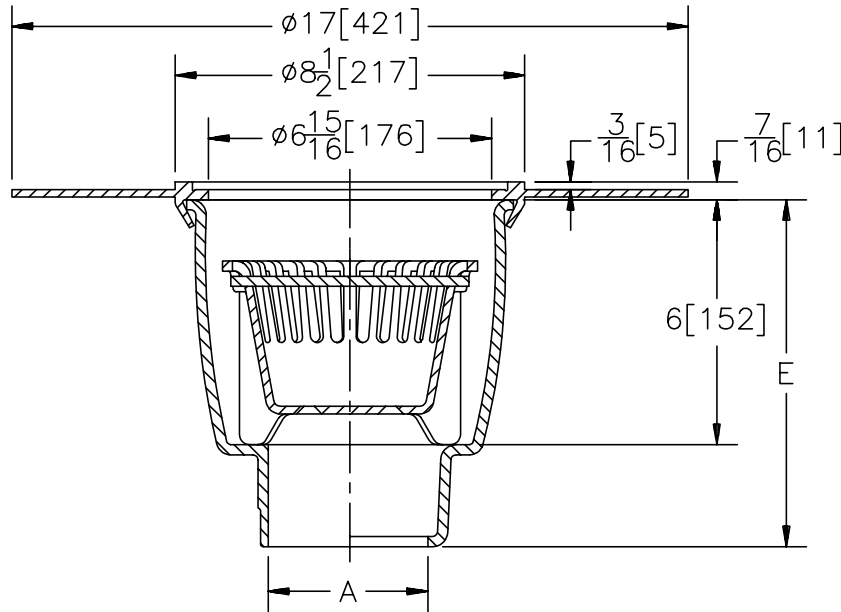


# ZN-1960-76

## 8 1/2 [216] DIAMETER A.R.E. SANI-FLOR RECEPTOR 6" [152] SUMP DEPTH

TAG \_\_\_\_\_

Dimensional Data (inches and [ mm ]) are Subject to Manufacturing Tolerances and Change Without Notice



A- Pipe Size In.	Approx Wt. Lbs. [kg]
2-3-4 [50-75-100]	25 [11]

**ENGINEERING SPECIFICATION:** ZURN ZN-1960-76 Sani-Flor Receptor 8 1/2 [216] Dia. x 6 [152] deep cast iron body and nickel bronze frame with dex-o-tex flange, with white acid resisting porcelain enamel interior, complete with aluminum bucket.

**OPTIONS** (Check/specify appropriate options)

PIPE SIZE	(Specify size/type)	OUTLET	'E' BODY HT. DIMENSION
			ZN
2, 3, 4 [50, 75, 100]	_____	IC Inside Caulk	9 [229]
2, 3, 4 [50, 75, 100]	_____	NH No-Hub	9 [229]

**PREFIXES**

\_\_\_\_\_ ZN- Cast Iron Body with White A.R.E. Interior, 8 1/2 [216] N.B. Frame  
+Add 1/2 [13] to 8 [203] Dim. and 3/8 [10] to 'E' Dim.

**SUFFIXES**

- \_\_\_\_\_ -K Seepage Flange With Seepage Holes
- \_\_\_\_\_ -KC Seepage Flange With Seepage Holes With Clamp Collar
- \_\_\_\_\_ -LD (Less) Internal Bottom Dome Strainer
- \_\_\_\_\_ -P 1/2 [13] Threaded Trap Primer Connection (See Z-1023)
- \_\_\_\_\_ -T Square Top
- \_\_\_\_\_ -25 White A.R.E. Bucket
- \_\_\_\_\_ -31 Stainless Steel Mesh Liner for Bucket
- \_\_\_\_\_ -33 White A.R.E. Anti-Splash Bottom Dome Strainer

REV.	DATE: 07/19/95	C.N. NO. 72524
DWG. NO. P-14204 PRODUCT NO. ZN-1960-76		

\*REGULARLY FURNISHED UNLESS OTHERWISE SPECIFIED