



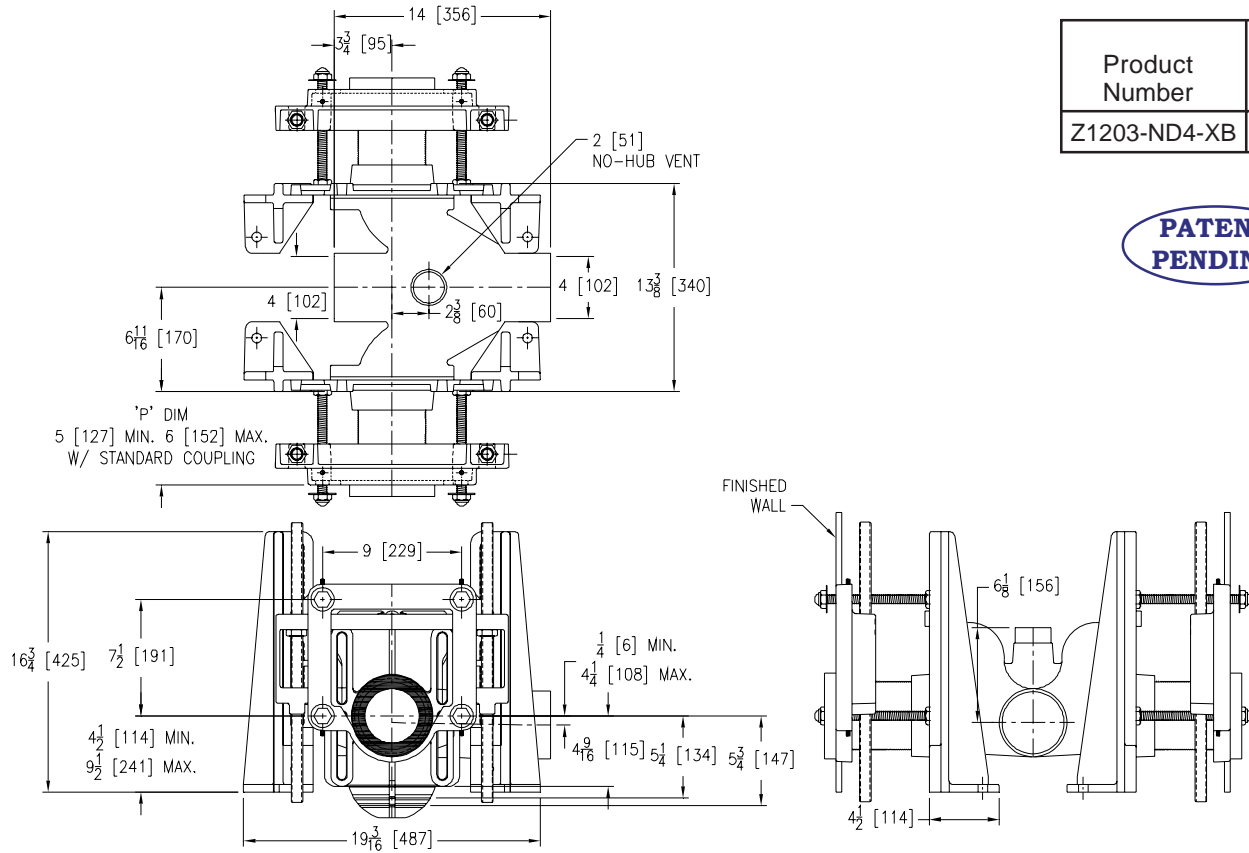
Z1203-ND4-XB

BARIATRIC CARRIER - 1000 LB. [454 KG.] ADJUSTABLE, HORIZONTAL, BACK TO BACK SIPHON JET NO-HUB

SPECIFICATION SHEET

TAG _____

Dimensional Data (inches and [mm]) are Subject to Manufacturing Tolerances and Change Without Notice



Product Number	Approx. Wt. Lbs. [kg]
Z1203-ND4-XB	153 [66]

PATENT PENDING

* PULL OUT FORCES ARE CALCULATED VALUES, WITH STANDARD COUPLING ASSEMBLY. NO SAFETY FACTOR HAS BEEN APPLIED.

ENGINEERING SPECIFICATION: ZURN Z1203-ND4-XB

Adjustable, horizontal siphon jet water closet "Rigid System" with 4 [102] No-Hub connections, rated for a 1000-Lb. [454 kg] maximum static load. Complete with Dura-Coated cast iron double main fitting, with 2 [51] vent, adjustable gasketed faceplates, floor mounted foot supports, stud support / finishing frames, corrosion resistant adjustable cast iron couplings, fixture bolts, trim, stud protectors, and bonded "Neo-Seal" gaskets. Carrier complies with all applicable requirements of ASME A112.6.1M up to a 1000-Lb. [454-kg.] load.

OPTIONS (Check/specify appropriate options)

____ **Z1203-ND4-XB** 4 [102] No-Hub Back-to-Back Inlet

PREFIXES

____ **Z** D.C.C.I. System with Zurn "ZZ" Adjustable Coupling**
 ____ **ZQ** D.C.C.I. System with NPT Faceplate, Non-Adjustable Coupling

SUFFIXES

____ **-CV** Closed Vent (Use only when local codes allow)
 ____ **-G** Galvanized Cast Iron
 ____ **-T** Threaded Connection
 ____ **-VP** Vandal-Proof Trim
 ____ **-29** Mechanical Test Cap Assembly
 ____ **-50** Flush Valve Supply Support for Water Closets
 ____ **-61** "ZZ" Coupling Wrench

**REGULARLY FURNISHED UNLESS OTHERWISE SPECIFIED

Note:

1. Feet bolted to floor using anchors capable of achieving the specified pull-out force.
2. Min. 'P' Dim. Obtainable=2-5/8 [67]
3. Floor anchors each must be able to withstand a pull-out force of 732 lbs. [332 kg.]

REV. B DATE: 02/24/11 C.N. NO. 120935

DWG. NO. 83124 PRODUCT NO. Z1203-ND4-XB