



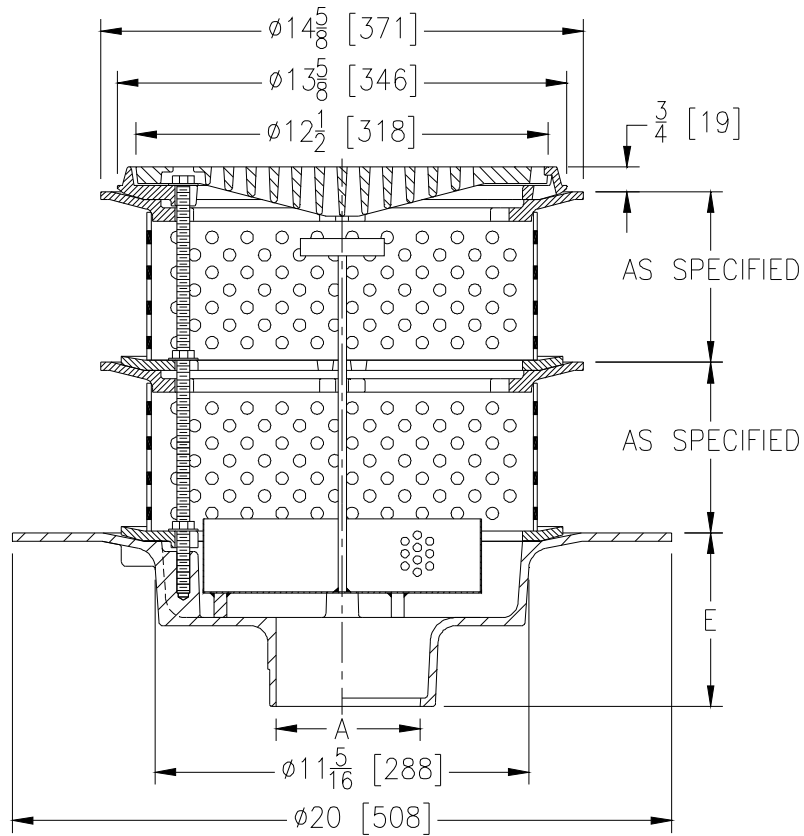
Z107-103

20 [508] WIDE DECK FLANGE ROOF DRAIN
W/PERFORATED EXTENSIONS, SEDIMENT BUCKET
WITH LIFT HANDLE, AND FLUSH GRATE

SPECIFICATION SHEET

TAG _____

Dimensional Data (inches and [mm]) are Subject to Manufacturing Tolerances and Change Without Notice



A Pipe Size In.	Approx. Wt. Lbs. [kg]	Grate Open Area Sq. In. [cm ²]
3, 4 [76, 102]	54 [24]	32 [206]
6, 8 [152, 203]	52 [24]	

ENGINEERING SPECIFICATION: ZURN Z107-103

20 [508] Diameter wide deck flange roof drain. Dura-Coated cast iron with combination membrane flashing clamp/gravel guard, perforated extensions, sediment bucket with lift handle, and flush grate.

OPTIONS (Check/specify appropriate options)

PIPE SIZE

- 3, 4, 6 [76, 102, 152]
- 3, 4 [76, 102]
- 3, 4, 6, 8 [76, 102, 152, 203]

(Specify size/type) OUTLET

- ___ IC Inside Caulk
- ___ IP Threaded
- ___ NH No-Hub

E BODY HT. DIM.

- 5 1/4 [133]
- 5 1/4 [133]
- 5 1/4 [133]

PREFIXES

- ___ Z D.C.C.I. Body, Clamp Collar and Grate*

SUFFIXES

- ___ -AC Angular Underdeck Clamp
- ___ -AR Acid Resistant Epoxy Coated
- ___ -C Underdeck Clamp
- ___ -E Static Extension 1 [25] thru 4 [102] (Specify Ht.)
- ___ -EA Adjustable Extension Assembly 2 1/8 [54] thru 3 1/2 [89]
- ___ -G Galvanized Cast Iron
- ___ -VP Vandal-Proof Secured Top
- ___ -XJ Vertical Expansion Joint (See Z190)

*REGULARLY FURNISHED UNLESS OTHERWISE SPECIFIED

REV.	DATE: 1/5/10	C.N. NO. 110552
DWG. NO. P-15820	PRODUCT NO. Z107-103	

ZURN INDUSTRIES, LLC ♦ SPECIFICATION DRAINAGE OPERATION ♦ 1801 Pittsburgh Ave. ♦ Erie, PA 16514

Phone: 814455-0921 ♦ Fax: 814454-7929 ♦ World Wide Web: www.zurn.com

In Canada: ZURN INDUSTRIES LIMITED ♦ 3544 Nashua Drive ♦ Mississauga, Ontario L4V1L2 ♦ Phone: 905405-8272 Fax: 905405-1292