

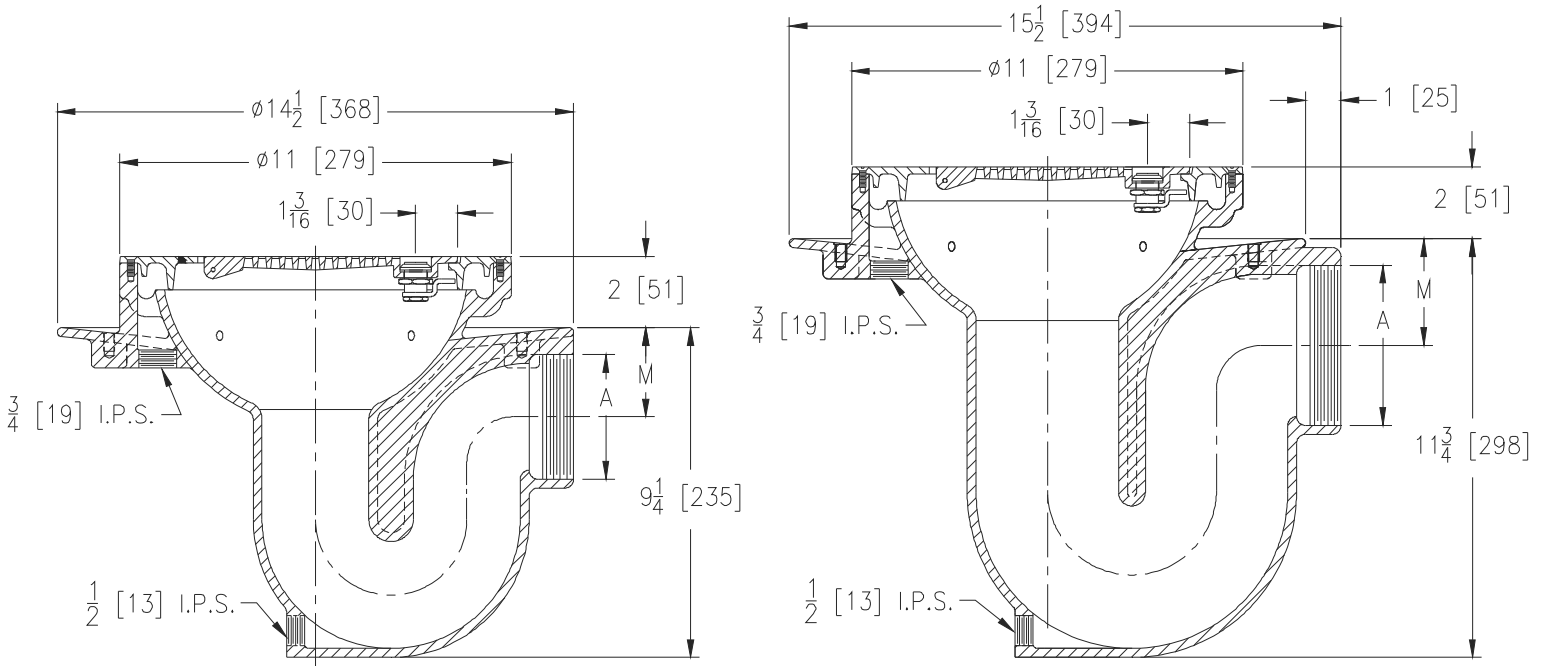


Z300-86 THOROFLUSH DRAIN WITH CYLINDER LOCK

SPECIFICATION SHEET

TAG _____

Dimensional Data (inches and [mm]) are Subject to Manufacturing Tolerances and Change Without Notice



2 [51] & 3 [76]
PIPE SIZES

4 [102]
PIPE SIZE

Dimensions in Inches		Approx. Wt. Lbs. [kg]	Grate Open Area Sq. In. [cm ²]
A-Pipe Size	M		
2 [51]	3 [76]	50 [23]	18 [116]
3 [76]	2-1/2 [64]		
4 [102]	3 [76]		

ENGINEERING SPECIFICATION: ZURN Z300-86
 11 [279] Top Thoroflush Drain with integral double wall trap, cast iron body with white acid resistant epoxy coated exterior and interior, side outlet with seepage pan, nickel bronze flushing rim top, cylinder lock, and slotted hinged grate.

OPTIONS (Check/specify appropriate options)

PIPE SIZE

2-3-4 [51-76-102]

(Specify size) **OUTLET**

___ IP Threaded

PREFIXES

- ___ ZB Cast Iron Body w/A.R.C. Interior and Exterior w/Polished Bronze Top
- ___ ZN Cast Iron Body w/A.R.C. Interior and Exterior w/Polished Nickel Bronze Top*

SUFFIXES

- ___ -C Clamping Collar
- ___ -DX Dex-o-tex Flange (Std. Top Only)
- ___ -NE Spark Proof Non-Conductive Top
- ___ -ST Solid Hinged Top
- ___ -VP Vandal-Proof Screws in Frame
- ___ -WB Water Supply Control Box (See Z1464)

*REGULARLY FURNISHED UNLESS OTHERWISE SPECIFIED

REV.	DATE: 06/25/13	C.N. NO. 129553
PROD./DWG. NO. Z300-86		