

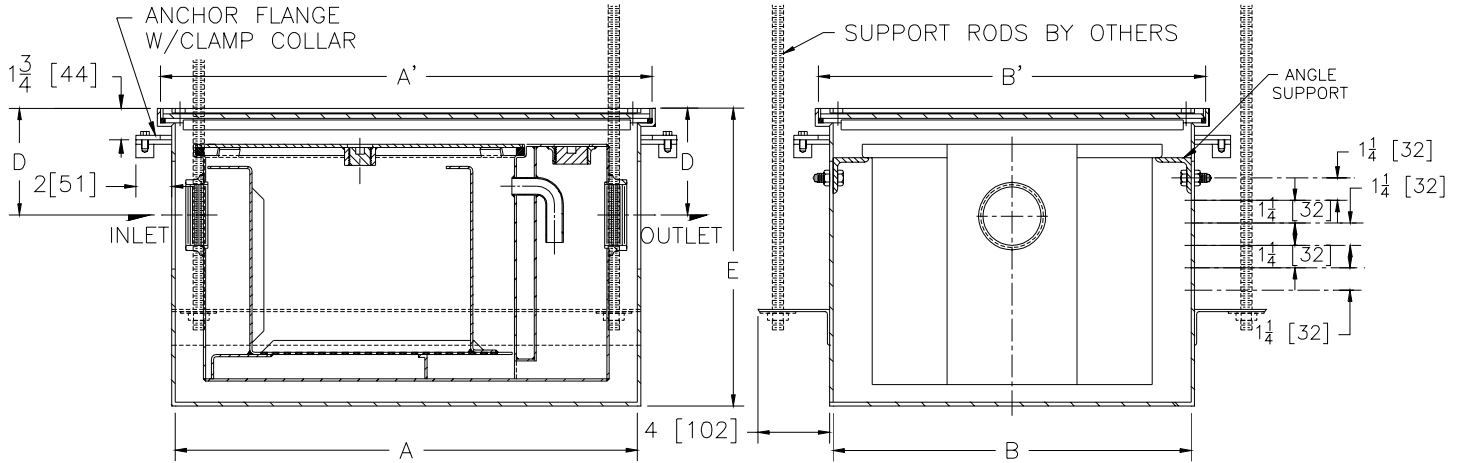


Z-1170-98
ADJUSTABLE RECESSING
RECEIVER-ENCLOSED TYPE-FOR GREASEPTOR

SPECIFICATION SHEET

TAG _____

Dimensional Data (inches and [mm]) are Subject to Manufacturing Tolerances and Change Without Notice



Size	Dimensions in Inches					
	A	A'	B	B'	D	E
100	19 3/4 [502]	21 3/4 [552]	12 3/4 [324]	14 3/4 [375]	4 1/8 [105]	-----
200	21 3/4 [552]	23 3/4 [603]	15 3/8 [390]	17 3/8 [441]	4 3/8 [111]	-----
300	25 [635]	27 [686]	17 1/2 [444]	19 1/2 [495]	4 7/8 [124]	20 3/4 [527]
400	25 3/4 [654]	27 3/4 [705]	20 [508]	22 [559]	5 3/8 [137]	22 3/8 [568]
500	29 1/2 [749]	31 1/2 [800]	20 3/4 [527]	22 3/4 [578]	5 3/4 [146]	24 [610]
600	34 [864]	36 [914]	23 1/4 [590]	25 1/4 [641]	5 7/8 [149]	25 3/4 [654]
700	35 [889]	37 [940]	26 [660]	28 [711]	5 7/8 [149]	26 3/4 [679]
800	37 1/4 [946]	39 1/4 [997]	28 [711]	30 [762]	6 7/8 [175]	30 1/2 [775]

ENGINEERING SPECIFICATION: ZURN Z-1170-98 Acid Resistant Epoxy Coated Recessing receiver, enclosed type, equipped with adjustable support brackets, gasketed non-skid cover recessed for tile/terrazzo (specify type and thickness of tile), anchor flange and clamp collar and angle brackets for suspended support. Complete with Z-1170 Greaseptor for greaseptor specifications see Z-1170 drawing.

PREFIXES

____ Z- Acid Resistant Coated Fabricated Steel*

REV.	DATE: 10/12/98	C.N. NO. 81395
DWG. NO. P-14671 PRODUCT NO. Z-1170-98		

*REGULARLY FURNISHED UNLESS OTHERWISE SPECIFIED