

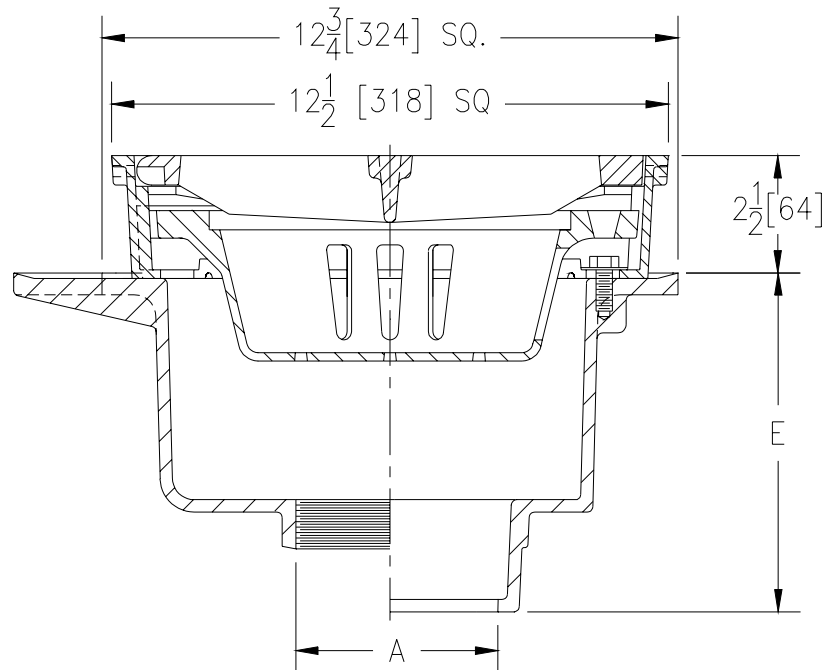


Z-610-88

12" [305] HEAVY DUTY DRAIN

TAG _____

Dimensional Data (inches and [mm]) are Subject to Manufacturing Tolerances and Change Without Notice



A- Pipe Size In.	Approx. Wt. Lbs. [kg]	Grate Open Area Sq. In. [cm ²]
3-4-6 [75-100-150]	44 [20]	30 [194]

ENGINEERING SPECIFICATION: ZURN Z-610-88
 12 [305] Square top drain, Dura-Coated cast iron body with bottom outlet, seepage pan and combination membrane flashing clamp and frame for heavy duty cast iron loose slotted grate, with suspended sediment bucket.

OPTIONS (Check/specify appropriate options)

PIPE SIZE

- 3,4,6 [75,100,150]
- 3,4 [75,100]
- 3 [75]
- 4,6 [100,150]
- 3,4,6 [100,100,150]
- 3,4 [75,100]

(Specify size/type) **OUTLET**

- ___ IC Inside Caulk
- ___ IG Inside Caulk w/Sealtrol Gskt.
- ___ IP Threaded
- ___ IP Threaded
- ___ NH No-Hub
- ___ NL Neo-Loc

'E' BODY HT. DIM.

- 7 3/4 [197]
- 7 3/4 [197]
- 6 [152]
- 6 1/2 [165]
- 7 3/4 [197]
- 7 1/4 [184]

PREFIXES

- ___ Z- D.C.C.I. Body and Grate*
- ___ ZB- D.C.C.I Body w/Polished Bronze Grate (Add 3/16 [5] to 2 1/2 [64] Dim. and 3/4 [19] to 12 1/2 [318] Dim.)
- ___ ZN- D.C.C.I. Body w/Polished Nickel Bronze Top (Add 3/16 [5] to 2 1/2 [64] Dim. and 3/4 [19] to 12 1/2 [318] Dim.)

SUFFIXES

- ___ -AR Acid Resistant Epoxy Coated Finish
- ___ -DG Duresist Grate
- ___ -DX Dex-o-tex Flange
- ___ -G Galvanized Cast Iron
- ___ -H Hinged Grate
- ___ -HL Hinged Locking Grate
- ___ -P Trap Primer Connection
- ___ -S Secondary Strainer
- ___ -SS Stainless Steel Mesh Liner for Bucket
- ___ -TS Top Secured with Slotted Screws
- ___ -V Backwater Valve (See Z-1099)
- ___ -VP Vandal Proof Secured Top
- ___ -YA Aluminum Sediment Bucket
- ___ -90 90° Threaded Side Outlet Body

REV.	DATE: 07/22/96	C.N. NO. 75369
DWG. NO. P-14355 PRODUCT NO. Z-610-88		

*REGULARLY FURNISHED UNLESS OTHERWISE SPECIFIED