



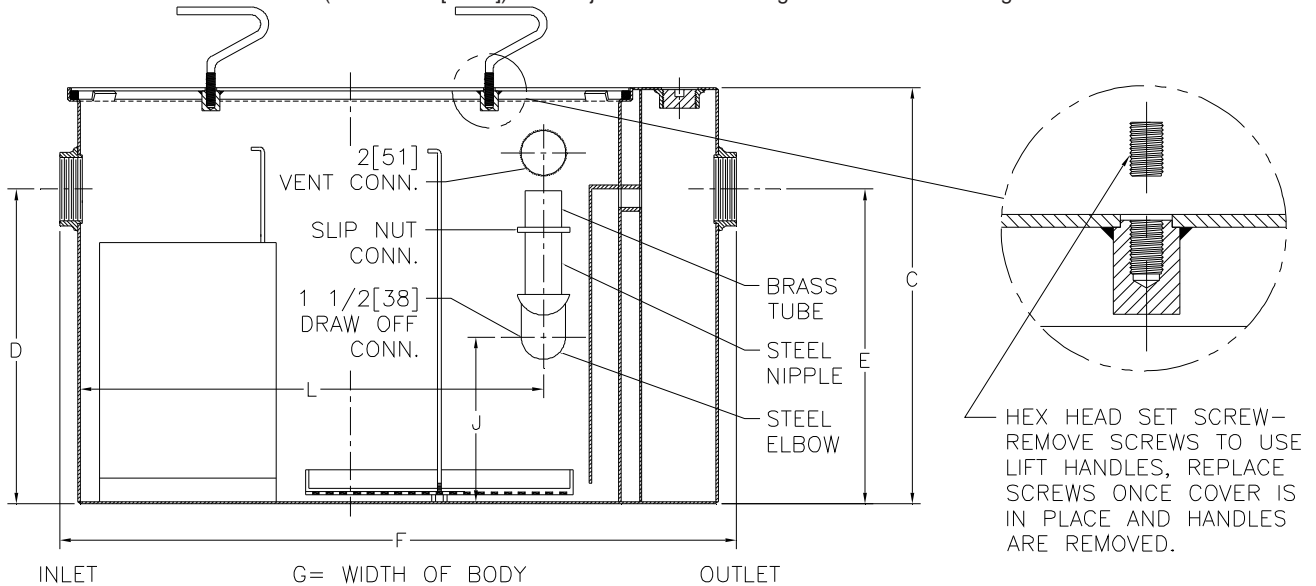
Z1188-167

LARGE CAPACITY STAINLESS STEEL OIL INTERCEPTOR

SPECIFICATION SHEET

TAG _____

Dimensional Data (inches and [mm]) are Subject to Manufacturing Tolerances and Change Without Notice



Flow Rate GPM[L] Min	Inlet/ Outlet Size	Water Capacity Gal. [L]	App. Wt. Lbs. [Kg]	No. of Covers	Dimensions In Inches					
					C	D/E	F	G	J	L
75 [284]	3 [76]	65 [246]	332 [151]	1	22-3/4 [578]	18-1/2 [470]	36 [914]	28-5/8 [727]	6-7/8 [175]	25-3/4 [654]
100 [379]	3 [76]	110 [306]	432 [196]	1	27 [686]	23 [584]	42-3/4 [1086]	33-5/8 [854]	11-3/8 [289]	30-1/8 [765]
125 [473]	3 [76]	150 [568]	780 [354]	2	30-1/8 [765]	24-1/2 [622]	49-1/4 [1251]	40 [1016]	12-7/8 [327]	36-5/8 [916]
150 [568]	4 [102]	190 [719]	888 [403]	2	30-3/4 [781]	25-1/4 [641]	56 [1422]	41-3/8 [1051]	13-1/8 [333]	43-7/8 [1114]
200 [757]	4 [102]	265 [1003]	1055 [478]	2	35-1/2 [901]	29-7/8 [759]	61 [1549]	43-5/8 [1108]	17-3/4 [451]	46-5/8 [1184]
250 [946]	5 [127]	460 [1741]	1438 [625]	2	41 [1041]	36 [914]	71 [1803]	51-3/8 [1305]	23-3/8 [594]	56-5/8 [1438]
300 [1136]	5 [127]	660 [2498]	1840 [835]	2	46-1/4 [1175]	39-5/8 [1006]	80 [2032]	58-3/8 [1483]	27 [686]	65-5/8 [1667]
350 [1325]	6 [152]	860 [3255]	2180 [989]	2	50-1/2 [1283]	43-7/8 [1114]	87 [2210]	63-5/8 [1616]	30-3/4 [781]	74-1/8 [1882]
400 [1514]	6 [152]	1090 [4126]	2536 [1150]	3	54-1/4 [1378]	47-5/8 [1210]	94 [2388]	67 [1702]	34-1/2 [876]	79-1/8 [2009]
450 [1703]	6 [152]	1275 [4826]	2816 [1277]	3	55-1/4 [1403]	48-5/8 [1235]	100 [2540]	72 [1829]	35-1/2 [902]	85-3/8 [2168]
500 [1893]	6 [152]	1435 [5431]	2970 [1347]	3	57-1/4 [1454]	51-5/8 [1311]	104 [2642]	74 [1880]	38-1/2 [978]	88-3/8 [2245]

ENGINEERING SPECIFICATION: ZURN Z1188-167

Large capacity fabricated stainless steel oil interceptor, with stainless steel cleanout plug and visible double wall trap seal, removable combination pressure equalizing/flow diffusing baffle and sediment bucket, horizontal baffle, adjustable oil drawoff and vent connections either side. Complete with secured, gasketed, non-skid cover with removable lift handles and flow control fitting. Regularly furnished with inlet and outlet in high position.

OPTIONS (Check/specify appropriate options)

PREFIXES

____ ZS Fabricated Stainless Steel*

SUFFIXES

- ____ -E Fabricated stainless steel extension section. (Specify 'C' Dim. required) for recessed installation.
- ____ -HD Heavy-duty traffic cover rated at 10,000 lbs [4536 kg.] maximum load. An increased 'C' dim. is required when -HD option is specified. (See -HD option specification sheet)
- ____ -K Anchor flange 1-3/4 [44] down from top and 2 [51] wide. A 3 [76] minimum extension height is required when -K option is specified.
- ____ -KC Anchor flange 1-3/4 [44] down from top and 2 [51] wide with clamp collar. A 3 [76] minimum extension height is required when -KC option is specified.
- ____ -PW Plug wrench

* Regularly furnished unless otherwise specified.

Zurn Industries, LLC | Specification Drainage Operation
 1801 Pittsburgh Avenue, Erie, PA U.S.A. 16502 · Ph. 855-663-9876, Fax 814-454-7929
 In Canada | Zurn Industries Limited
 3544 Nashua Drive, Mississauga, Ontario L4V 1L2 · Ph. 905-405-8272, Fax 905-405-1292
www.zurn.com

Rev. -
 Date: 05/29/14
 C.N. No. 131035
 Prod. | Dwg. No. Z1188-167