

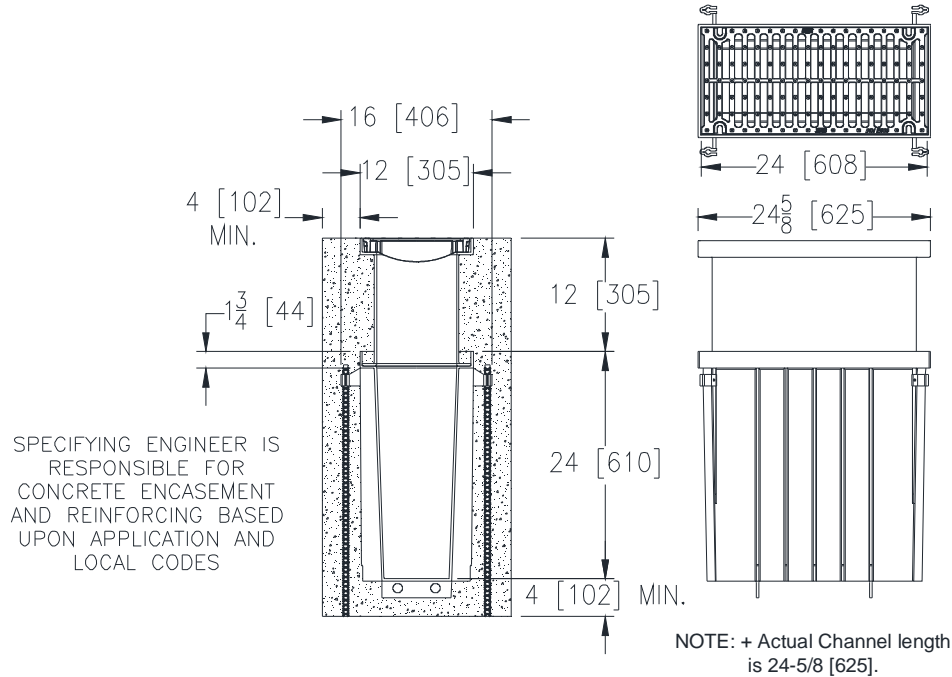


# Z887-12-EXT

12 [305] WIDE REVEAL x 24-9/16 [624] LONG CATCH  
BASIN W/ 12 [305] EXTENSION AND DGE GRATING

TAG \_\_\_\_\_

Dimensional Data (inches and [ mm ]) are Subject to Manufacturing Tolerances and Change Without Notice



SPECIFYING ENGINEER IS RESPONSIBLE FOR CONCRETE ENCASEMENT AND REINFORCING BASED UPON APPLICATION AND LOCAL CODES

### ENGINEERING SPECIFICATION: Zurn Z887-12-EXT

Catch basin shall be 12" [305mm] wide reveal x 24-9/16" [624mm] long, and 24" [610mm] deep. Catch basin shall be made of 0% water absorbent High Density Polyethylene (HDPE). Shall mechanically lock into the concrete surround every 10" [254mm]. Basin shall weigh less than 14.6 lbs. [6.6 kg]. Catch basin shall have rebar clips standard to secure basin in its final location. Shall be provided with standard DGE grate that locks down to 12" [305mm] high, 1/4" [6mm] thick polyethylene extension. Zurn 12" [305mm] wide reveal Ductile Iron slotted grate conforming to ASTM specification A536-84, Grade 80-55-06. Ductile Iron grate is rated class E per the DIN EN1433 top load classifications. Supplied in 24" [608mm] nominal lengths with 13/16" [21mm] wide slots, and 1-1/2" [38mm] bearing depth. Grate has an open area of 60.3 sq. in per ft. [38899 sq. mm per meter].

### PREFIX OPTIONS (Check/specify appropriate options)

\_\_\_ Z 12 [305] x 24-9/16 [624] High Density Polyethylene (HDPE) Catch Basin\*

### SUFFIX OPTIONS (Check/specify appropriate options)

#### Adapters

- \_\_\_ -E3/U3 3 [76] No-Hub End/Bottom Outlet Adapter
- \_\_\_ -E4/U4 4 [102] No-Hub End/Bottom Outlet Adapter
- \_\_\_ -E6/U6 6 [152] No-Hub End/Bottom Outlet Adapter
- \_\_\_ -IA Inlet Adapter (Z886)
- \_\_\_ -IA Inlet Adapter (Z882)

#### Grate Options (Load Classifications are per DIN EN1433)

- \_\_\_ -DGC Ductile Iron Slotted Grate - Class C \*
- \_\_\_ -GDC Galvanized Ductile Slotted Grate - Class C
- \_\_\_ -GG Fiberglass Grate - Class A
- \_\_\_ -GHPDE Galvanized Heel-Proof Ductile Slotted Grate - Class E
- \_\_\_ -HPD Heel-Proof Ductile ADA Grate - Class B
- \_\_\_ -HPDE Heel-Proof Ductile Slotted Grate - Class E
- \_\_\_ -SBG-L Stainless Steel Bar Grate - Class C

#### Miscellaneous Options

- \_\_\_ -CBF Black Acid Resistant Coated Frame
- \_\_\_ -GFA Galvanized Extra-Heavy Duty Frame Assy. w/ Studs
- \_\_\_ -HD Extra-Heavy-Duty Frame Assembly w/ Anchor Studs
- \_\_\_ -SF Type 304 Stainless Steel Top Frame
- \_\_\_ -Y Sediment Bucket

#### MADE in the U.S.A. (Load Classifications are per DIN EN1433)

- \_\_\_ -ADA-USA Meets Americans with Disabilities Act Requirements - Class C
- \_\_\_ -DGC-USA Ductile Iron Slotted Grate - Class C
- \_\_\_ -FG Fabricated Galvanized Steel Slotted Grate - Class A
- \_\_\_ -FS Fabricated Stainless Steel Slotted Grate - Class A
- \_\_\_ -GADA-USA Galvanized Ductile ADA Slotted Grate - Class C
- \_\_\_ -GDC-USA Galvanized Ductile Slotted Grate - Class C
- \_\_\_ -PG Perforated Galvanized Steel ADA Grate - Class A
- \_\_\_ -PS Perforated Stainless Steel ADA Grate - Class A
- \_\_\_ -RFG-USA Reinforced Galvanized Steel Slotted Grate - Class B
- \_\_\_ -RFS-USA Reinforced Stainless Steel Slotted Grate - Class B
- \_\_\_ -RPG-USA Reinforced Galvanized Perforated ADA Grate - Class B

#### MADE in the U.S.A. (Load Classifications are per DIN EN1433)

- \_\_\_ -RPGR Reinforced Galvanized Perforated Reverse Punch Anti-Slip ADA Grate - Class B
- \_\_\_ -RPS-USA Reinforced Stainless Steel Perforated ADA Grate - Class B
- \_\_\_ -RPSR Reinforced Stainless Steel Perforated Reverse Punch Anti-Slip ADA Grate - Class B

\* Regularly furnished unless otherwise specified.