



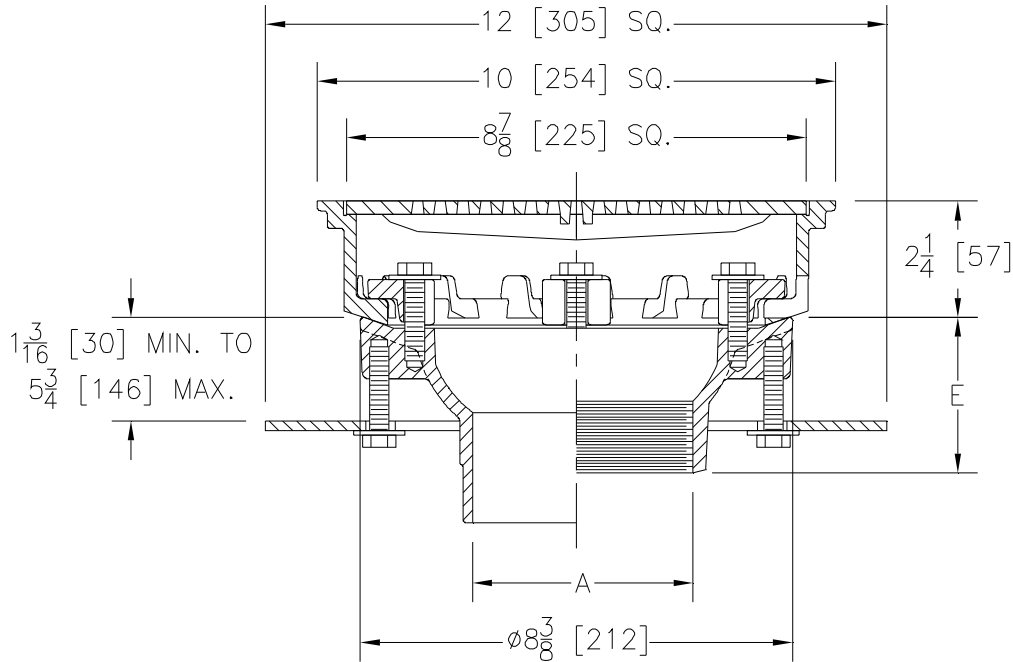
Z158-C

10 [254] SQUARE TOP PROM-DECK DRAIN W/
HEEL-PROOF GRATE, UNDERDECK CLAMP
AND ROTATABLE FRAME

SPECIFICATION SHEET

TAG _____

Dimensional Data (inches and [mm]) are Subject to Manufacturing Tolerances and Change Without Notice



A Pipe Size In [mm]	Approx. Wt. Lbs. [kg]	Grate Open Area Sq. In. [cm ²]
2,3,4 [51,76,102]	22 [10]	21 [136]

ENGINEERING SPECIFICATION: ZURN Z158-C
10" [254mm] Square top Prom-Deck drain, Dura-Coated cast iron body with rotatable square promenade frame with seepage openings, frame clamps, light-duty heel-proof grate, and underdeck clamp.

OPTIONS (Check/specify appropriate options)

PIPE SIZE	(Specify size/type) OUTLET	'E' BODY HT. DIM.
3,4 [76,102]	___ IC Inside Caulk	3-7/8 [98]
2 [51]	___ IP Threaded	2-7/16 [62]
3 [76]	___ IP Threaded	2-3/4 [70]
4 [102]	___ IP Threaded	3 [76]
2,3,4 [51,76,102]	___ NH No-Hub	4 [102]
2,3,4 [51,76,102]	___ NL Neo-Loc	3-13/16 [97]

PREFIXES

- ___ Z D.C.C.I. Body with Top*
- ___ ZB D.C.C.I. Body with Polished Bronze Top (Add 3/16 [5] to 2-1/4 [57] Dim & 3/8 [10] to 10 [254] Dim.)
- ___ ZN D.C.C.I. Body with Polished Nickel Bronze Top (Add 3/16 [5] to 2-1/4 [57] Dim & 3/8 [10] to 10 [254] Dim.)

SUFFIXES

- ___ -AR Acid Resistant Epoxy Coated
- ___ -DG Duresist Grate (Z Only)
- ___ -DT Decorative Polished Top (ZB and ZN Only)
- ___ -E 2 [51] High Static Extension
- ___ -G Galvanized Cast Iron
- ___ -SC Secondary Clamping Collar
- ___ -TC Neo-Loc Test Cap Gasket (2,3,4 [51,76,102] NL Bottom Outlet only)
- ___ -TS Top Secured with Slotted Screws
- ___ -VP Vandal-Proof Secured Top
- ___ -Y Sediment Bucket
- ___ -85 Stainless Steel Perforated Extension
- ___ -90 90° Threaded Side Outlet Body (2,3,4 [51,76,102])

* Regularly furnished unless otherwise specified.