



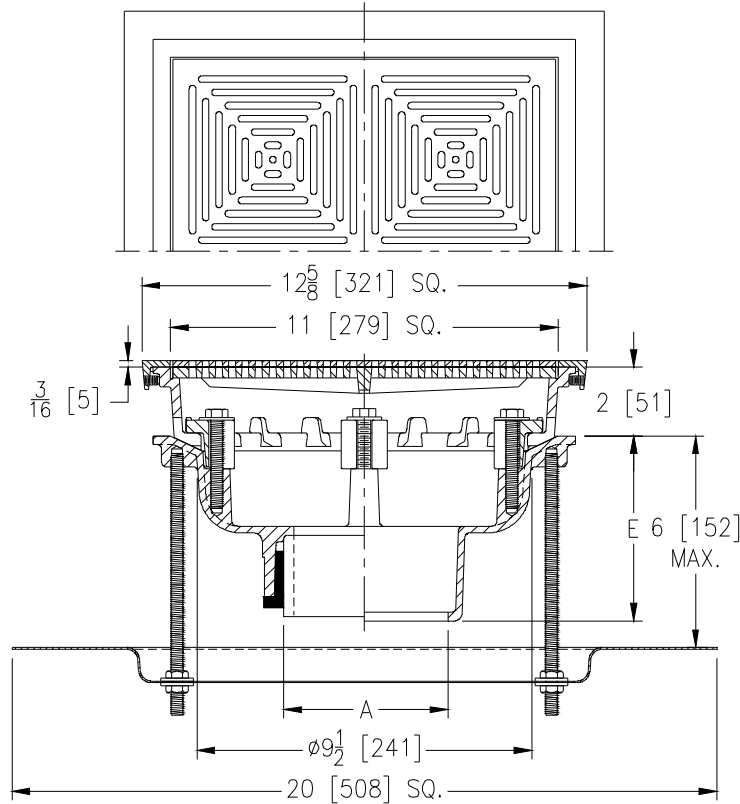
Z154-DT-EB

12-5/8[321] SQUARE TOP PROM-DECK DRAIN W/ DECORATIVE GRATE, ROTATABLE FRAME AND TOP-SET® ADJUSTABLE EXTENSION ASSEMBLY

SPECIFICATION SHEET

TAG _____

Dimensional Data (inches and [mm]) are Subject to Manufacturing Tolerances and Change Without Notice



A Pipe Size In. [mm]	Approx. Wt. Lbs. [kg]	Grate Open Area Sq. In. [cm ²]
2, 3, 4, 6 [51, 76, 102, 152]	34 [15]	42 [271]

ENGINEERING SPECIFICATION: ZURN ZN154-DT-EB

12-5/8" [321mm] Square top prom-deck drain, Dura-Coated cast iron body with rotatable square promenade frame with seepage openings, Top-Set® adjustable extension assembly, frame clamps and decorative light duty heel-proof grate with 3/16" [5mm] wide slots and nickel bronze veneer frame and grate.

OPTIONS (Check/specify appropriate options)

PIPE SIZE

- 2, 3, 4, 6 [51, 76, 102, 152]
- 2, 3, 4, 6 [51, 76, 102, 152]
- 2, 3, 4, 6 [51, 76, 102, 152]
- 2, 3, 4 [51, 76, 102]

(Specify size/type) OUTLET

- ___ IC Inside Caulk
- ___ IP Threaded
- ___ NH No-Hub
- ___ NL Neo-Loc

'E' BODY HT. DIM.

- 5-1/4 [133]
- 3-3/4 [95]
- 5-1/4 [133]
- 4-9/16 [117]

PREFIXES

- ___ ZB D.C.C.I. Body with Decorative Polished Bronze Top
- ___ ZN D.C.C.I. Body with Decorative Polished Nickel Bronze Top*

SUFFIXES

- ___ -AR Acid Resistant Epoxy Coated
- ___ -E Static Extension (1 [25] thru 4 [102] (Specify Height))
- ___ -G Galvanized Cast Iron
- ___ -S Secondary Strainer
- ___ -SC Secondary Clamp Collar
- ___ -TC Neo-Loc Test Cap Gasket (2,3,4 [51,76,102] NL Bottom Outlet Only)
- ___ -TS Top Secured with Slotted Screws
- ___ -VP Vandal-Proof Secured Top
- ___ -Y Sediment Bucket
- ___ -85 Stainless Steel Perforated Extension

* Regularly furnished unless otherwise specified.