



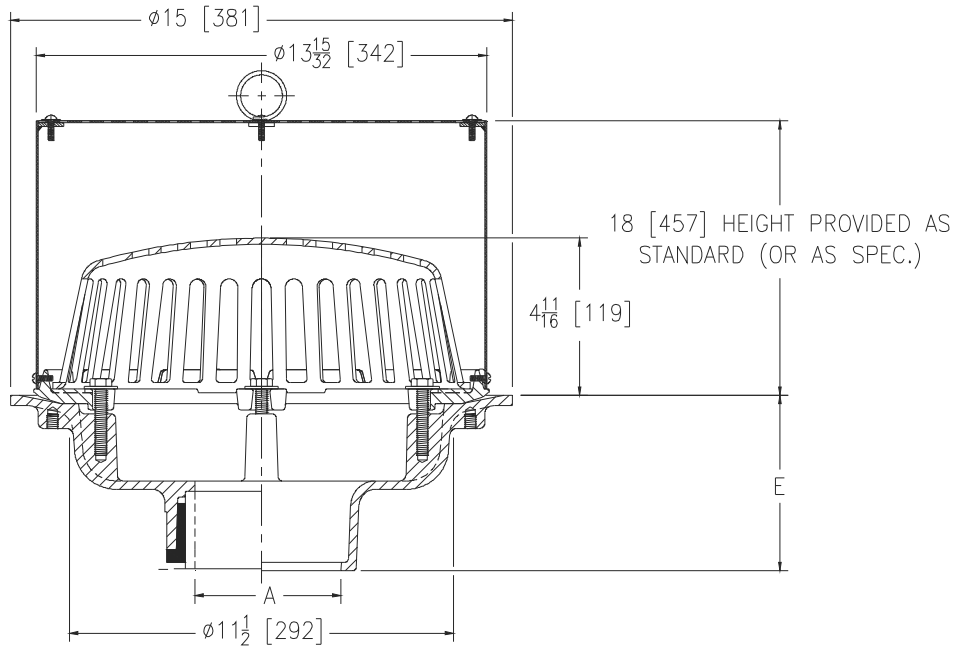
Z110-82

15 [381] DIAMETER MAIN GREEN ROOF DRAIN W/ SOLID ASSEMBLY AND REMOVABLE PERFORATED COVER W/ LIFT HANDLE

SPECIFICATION SHEET

TAG _____

Dimensional Data (inches and [mm]) are Subject to Manufacturing Tolerances and Change Without Notice



A Pipe Size In [mm]	Approx. Wt. Lbs. [kg]	Dome Open Area Sq. In. [cm ²]
2,3,4 [51,76,102]	30 [14]	103 [665]
6 [152]	32 [15]	
8 [203]	33 [15]	

ENGINEERING SPECIFICATION: ZURN Z110-82
 15" [381mm] Diameter green roof drain. Dura-Coated cast iron body with combination membrane flashing clamp/gravel guard and low silhouette Poly-Dome. Complete with secured type 304 (CF8) stainless steel solid assembly with secured removable perforated access cover with lift handle.

OPTIONS (Check/specify appropriate options)

PIPE SIZE

- ___ 3, 4, 6 [76, 102, 152]
- ___ 3, 4, 6, 8 [76, 102, 152, 203]
- ___ 2, 3, 4, 6, 8 [51, 76, 102, 152, 203]
- ___ 2, 3, 4 [51, 76, 102]
- ___ 6 [152]

(Specify size/type) **OUTLET**

- ___ IC Inside Caulk
- ___ IP Threaded
- ___ NH No-Hub
- ___ NL Neo-Loc
- ___ NL Neo-Loc

'E' BODY HT. DIM.

- ___ 5-1/4 [133]
- ___ 3-3/4 [95]
- ___ 5-1/4 [133]
- ___ 4-9/16 [116]
- ___ 5-7/16 [112]

PREFIXES

- ___ Z D.C.C.I. Body with Poly-Dome*
- ___ ZA D.C.C.I. Body with Aluminum Dome
- ___ ZC D.C.C.I. Body with Cast Iron Dome

SUFFIXES

- ___ -AC Angular Underdeck Clamp
- ___ -AR Acid Resistant Epoxy Coated
- ___ -C Underdeck Clamp
- ___ -DE Deck Extension
- ___ -DP Top-Set® Deck Plate (Replaces both the -C and -R)
- ___ -E Static Extension 1 [25] thru 4 [102] (Specify Ht.)
- ___ -EA Adjustable Extension Assembly 2-1/8 [54] thru 3-1/2 [89]
- ___ -EB Top-Set® Adjustable Extension Assembly
- ___ -G Galvanized Cast Iron
- ___ -R Roof Sump Receiver
- ___ -ST Dome with Solid Top (ZA, ZC Only)
- ___ -TC Neo-Loc Test Cap Gasket (2,3,4 [51,76,102] NL Bottom Outlet Only)
- ___ -VP Vandal-Proof Secured Screen Cover
- ___ -85 Stainless Steel Perforated Extension

* Regularly furnished unless otherwise specified.