



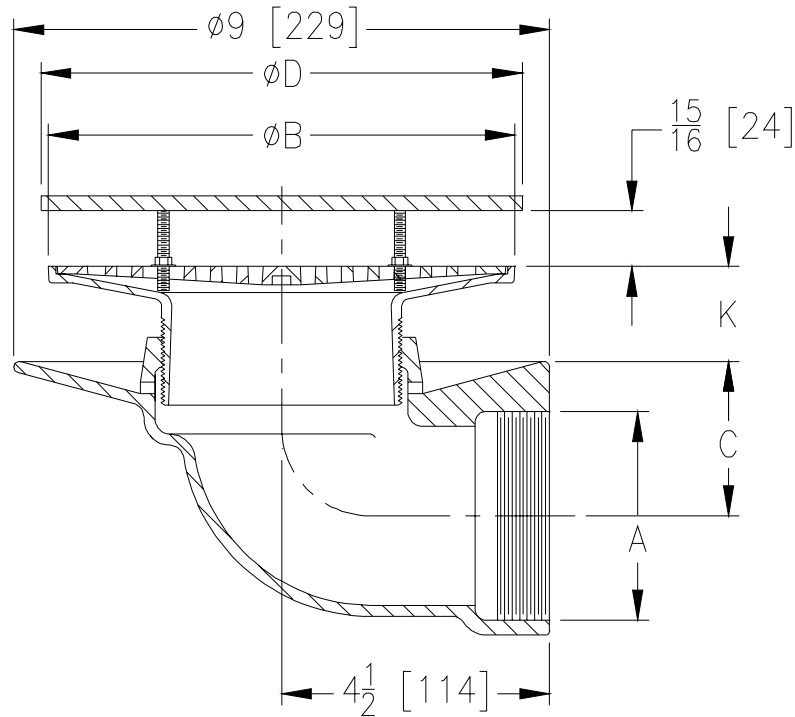
# Z415B-78

## FLOOR & SHOWER DRAIN W/ "TYPE B" STRAINER AND ANTI-VORTEX PLATE

SPECIFICATION SHEET

TAG \_\_\_\_\_

Dimensional Data (inches and [ mm ]) are Subject to Manufacturing Tolerances and Change Without Notice



Dimensions In Inches					Approx. Wt. Lbs. [ Kg. ]	Grate Open Area Sq. In. [ Cm <sup>2</sup> ]
A-Pipe Size	B Dia. Strainer	C	D	K Min.      Max.		
1 1/2 [38]		3 1/2 [89]		1/2 [13]    1 7/8 [48]	11 [5]	7 [45]
2 [51]	8 [203]	3 1/4 [83]	8 1/4 [210]	1 1/8 [29]    2 1/8 [54]	13 [6]	7 [45]
3 [76]		2 3/4 [70]		1 1/4 [32]    2 1/2 [63]	14 [6]	9 [58]

**ENGINEERING SPECIFICATION:**  
ZURN ZN415B-78 floor and shower drain. Dura-Coated cast iron body with side outlet, adjustable "Type B" Nickel Bronze Strainer and Anti-Vortex plate with polished top.

**OPTIONS** (Check/specify appropriate options)

**PIPE SIZE**

- 1 1/2 [38]
- 2 [51]
- 3 [76]

(Specify size) **OUTLET**

- \_\_\_ IP Threaded
- \_\_\_ IP Threaded
- \_\_\_ IP Threaded

**PREFIXES**

- \_\_\_ **ZN** D.C.C.I. Body with Nickel Bronze Top\*
- \_\_\_ **ZB** D.C.C.I. Body with Polished Bronze Top

**SUFFIXES**

- \_\_\_ **-AR** Acid Resisting Epoxy Coated Cast Iron
- \_\_\_ **-G** Galvanized Cast Iron

REV. A	DATE: 02/19/04	C.N. NO. 91956
DWG. NO. P-14038	PRODUCT NO. Z415B-78	

\*REGULARLY FURNISHED UNLESS OTHERWISE SPECIFIED