

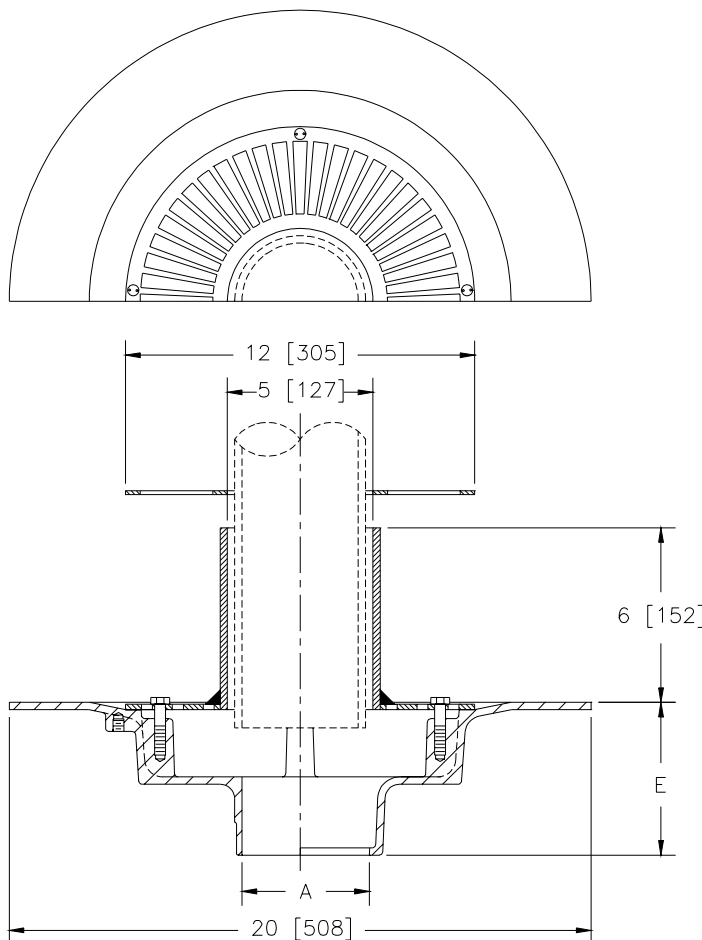


**Z-107-91**  
**20" [508] WIDE DECK FLANGE**  
**ROOF DRAIN**

SPECIFICATION SHEET

TAG \_\_\_\_\_

Dimensional Data (inches and [ mm ]) are Subject to Manufacturing Tolerances and Change Without Notice



A- Pipe Size In.	Approx. Wt. Lbs. [kg]	Grate Open Area Sq. In. [cm <sup>2</sup> ]
3-4[75-100]	39 [18]	46 [297]
6-8[150-200]		

**ENGINEERING SPECIFICATION: ZURN Z-107-91**  
 20 [508] Diameter wide deck flange roof drain. Dura-Coated cast iron body, steel membrane flashing clamp with standpipe and vandal proof secured stainless steel grate.

**OPTIONS** (Check/specify appropriate options)

**PIPE SIZE**

3,4,6[75,100,150]  
 3,4,6,8[75,100,150,200]

(Specify size/type) **OUTLET**

\_\_\_\_\_ IC Inside Caulk  
 \_\_\_\_\_ NH No-Hub

**E BODY HT. DIM.**

5 1/4 [133]  
 5 1/4 [133]

**PREFIXES**

\_\_\_ Z- D.C.C.I. Body with Grate\*

**SUFFIXES**

\_\_\_ -AC Angular Underdeck Clamp  
 \_\_\_ -AR Acid Resistant Epoxy Coated Finish  
 \_\_\_ -C Underdeck Clamp  
 \_\_\_ -G Galvanized Cast Iron  
 \_\_\_ -XJ Vertical Expansion Joint (See Z-190)

<b>REV.</b>	<b>DATE: 9/4/98</b>	<b>C.N. NO. 81165</b>
<b>DWG. NO. P-14664 PRODUCT NO. Z-107-91</b>		

\*REGULARLY FURNISHED UNLESS OTHERWISE SPECIFIED