



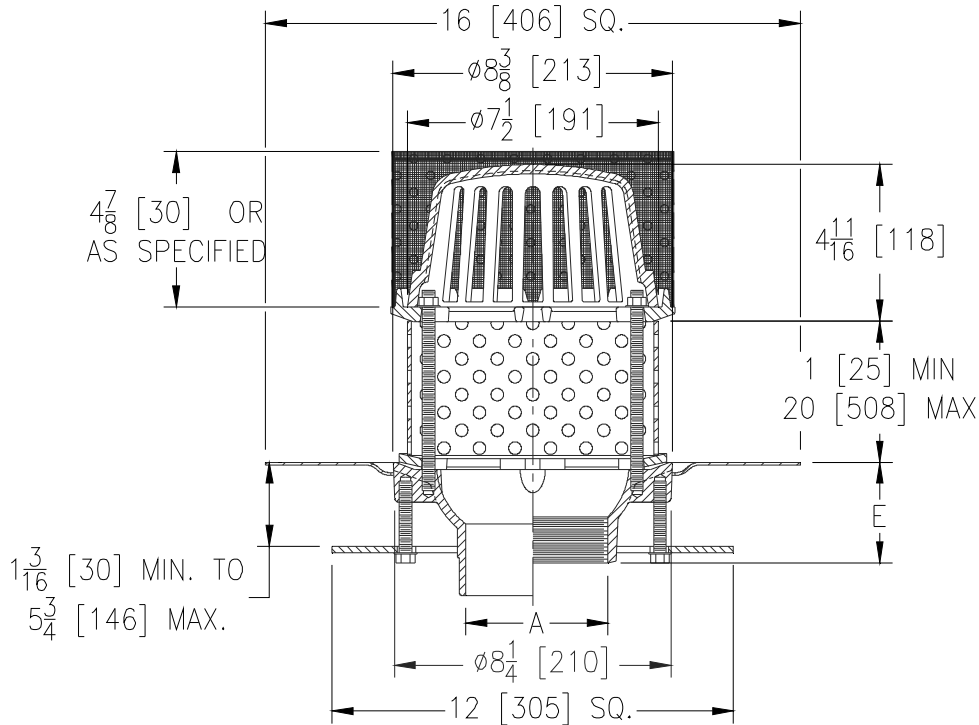
Z125-C-R-SS-84-85

8-3/8 [213] DIAMETER ROOF DRAIN W/ UNDERDECK CLAMP, ROOF SUMP RECEIVER, MESH SCREEN OVER DOME, GRAVEL GUARD & PERFORATED EXTENSION

SPECIFICATION SHEET

TAG _____

Dimensional Data (inches and [mm]) are Subject to Manufacturing Tolerances and Change Without Notice



A- Pipe Size In. [mm]	Approx. Wt. Lbs. [kg]	Dome Open Area Sq. In. [cm ²]
2,3,4 [51,76,102]	18 [8]	43 [277]

ENGINEERING SPECIFICATION: ZURN Z125-C-R-SS-84-85

8-3/8" [213mm] Diameter roof drain, Dura-Coated cast iron body with combination membrane flashing clamp/perforated gravel guard, roof sump receiver, underdeck clamp, low silhouette Poly-Dome with stainless steel mesh screen over dome, and stainless steel perforated extension.

OPTIONS (Check/specify appropriate options)

PIPE SIZE

2,3,4 [51,76,102]
2 [51]
3 [76]
4 [102]
2,3,4 [51,76,102]
2,3,4 [51,76,102]

(Specify size/type) OUTLET

___ IC Inside Caulk
___ IP Threaded
___ IP Threaded
___ IP Threaded
___ NH No-Hub
___ NL Neo-Loc

'E' BODY HT. DIM.

3-7/8 [98]
2-7/16 [62]
2-3/4 [70]
3 [76]
4 [102]
3-13/16 [97]

PREFIXES

___ Z D.C.C.I. Body with Poly-Dome (4-1/4 [108] Dome Height)*
___ ZA D.C.C.I. Body with Aluminum Dome (4-1/4 [108] Dome Height)
___ ZC D.C.C.I. Body with Low Silhouette Cast Iron Dome (4-1/4 [108] Dome Height)

SUFFIXES

___ -AR Acid Resistant Epoxy Coated Finish
___ -E 2 [51] High Static Extension (Specify Height)
___ -G Galvanized Cast Iron
___ -TC Neo-Loc Test Cap Gasket (2,3,4 [51,76,102] NL Bottom Outlet Only)
___ -VP Vandal-Proof Secured Top
___ -XJ Vertical Expansion Joint (See Z190)
___ -90 90° Threaded Side Outlet Body (2,3,4 [51,76,102])

* Regularly furnished unless otherwise specified.