



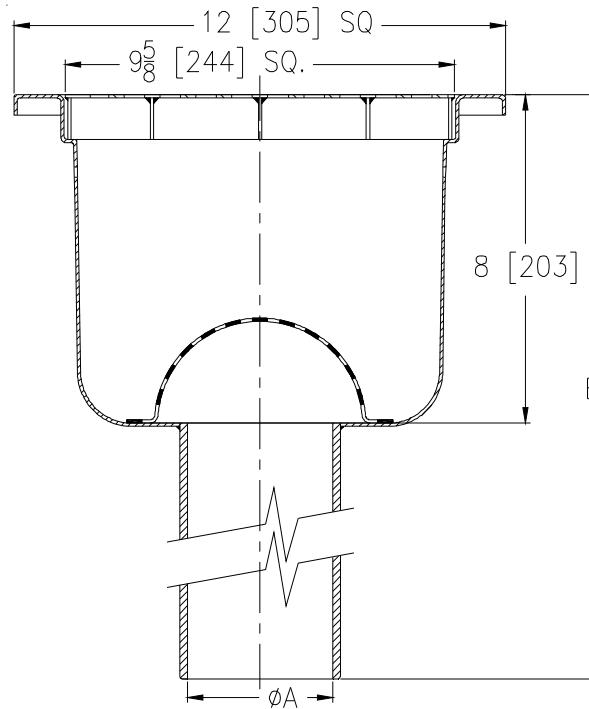
# Z1751-154

12 X 12 [305 X 305] SANI-FLOR RECEPTOR  
8 [203] SUMP DEPTH & 12 [305] LONG OUTLET

SPECIFICATION SHEET

TAG \_\_\_\_\_

Dimensional Data (inches and [ mm ]) are Subject to Manufacturing Tolerances and Change Without Notice



A- Pipe Size In. [mm]	Approx. Wt. Lbs. [kg]	Grate Open Area Sq. In. [cm <sup>2</sup> ]
2,3,4 [51,76,102]	37 [17]	23 [148]
6 [152]	39 [18]	23 [148]

**ENGINEERING SPECIFICATION: ZURN Z1751-154**

12 x 12 x 8 [305 x 305 x 203] deep, #16 gage, All Type 304 (CF8) Stainless Steel light-duty Sani-Flor receptor with non-tilt, loose set full grate with 1/2 [13] square openings, anti-splash stainless steel interior dome strainer and 12 [305] long No-Hub outlet.

**OPTIONS** (Check/specify appropriate options)

**PIPE SIZE**

2,3,4,6 [51,76,102,152]

(Specify size/type) **OUTLET**

\_\_\_\_\_ NH No-Hub

**'E' BODY HT. DIM.**

20 [508]

**PREFIXES**

- \_\_\_\_\_ Z Type 304 (CF8) Stainless Steel Body\*
- \_\_\_\_\_ ZM Type 316 (CF8M) Stainless Steel

**SUFFIXES**

- |   |  |
|---|--|
| _____ -DX Dex-o-tex Flange                                | _____ -3 3/4 Grate   |
| _____ -HD Extra Heavy-Duty Grate                          | _____ -4 Full Grate w/ 3 [76] Square Center Opening          |
| _____ -HP Heel-Proof Grate                                | _____ -5 Grate w/ 4 [102] Dia. x 3-3/4 [95] High             |
| _____ -K Anchor Flange                                    | _____ -8 Type 304 Stainless Steel Funnel                     |
| _____ -KC Anchor Flange w/ Seepage Holes and Clamp Collar | _____ -8 Grate w/ 8-3/8 x 3-5/8 x 3-3/4 [213 x 92 x 95] High |
| _____ -LSH (Less) Seepage Holes                           | _____ -8 Type 304 Stainless Steel Oval Funnel                |
| _____ -P 1/2 [13] Trap Primer Connection                  | _____ -15 Solid Cover  |
| _____ -SG Solid Gasketed Cover                            | _____ -16 1/2 Solid Cover                                    |
| _____ -VP Vandal-Proof Secured Top                        | _____ -17 3/4 Solid Cover                                    |
| _____ -Y Sediment Bucket                                  | _____ -18 Solid Cover w/ 3 [76] Square Center Opening        |
| _____ -YS Suspended Sediment Bucket                       | _____ -19 Full Hinged Grate                                  |
| _____ -1 (Less) Grate                                     | _____ -20 Full Hinged Solid Cover                            |
| _____ -2 1/2 Grate  |  |

\* Regularly furnished unless otherwise specified.