



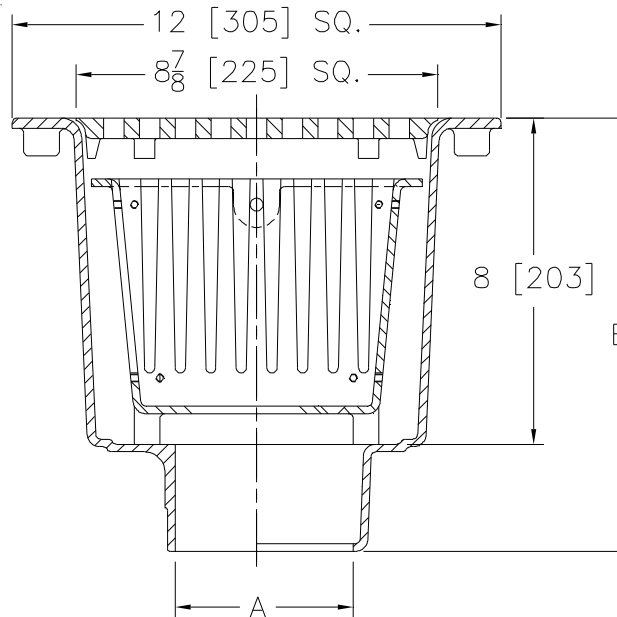
Z1901-23

12 X 12 [305 X 305] A.R.E. SANI-FLOR RECEPTOR
8 [203] SUMP DEPTH W/ ALUMINUM BUCKET

SPECIFICATION SHEET

TAG _____

Dimensional Data (inches and [mm]) are Subject to Manufacturing Tolerances and Change Without Notice



A - Pipe Size In. [mm]	Approx. Wt. Lbs. [kg]	Grate Open Area Sq. In. [cm ²]
2, 3, 4 [51, 76, 102]	34 [15]	31 [200]

ENGINEERING SPECIFICATION: ZURN Z1901-23

Sani-Flor Receptor 12" x 12" x 8" [305mm x 305mm x 203mm] deep cast iron body and square slotted light duty grate, with white acid resisting porcelain enamel interior and top, black ground enamel exterior coating, and aluminum bucket.

OPTIONS (Check/specify appropriate options)

PIPE SIZE

- 3, 4 [76, 102]
- 2, 3, 4 [51, 76, 102]
- 2, 3, 4 [51, 76, 102]

(Specify size/type) **OUTLET**

- ___ IC Inside Caulk
- ___ NH No-Hub
- ___ NL Neo-Loc

'E' BODY HT. DIMENSION

Z	ZN / ZS
10-5/8 [270]	11-1/8 [283]
10-5/8 [270]	11-1/8 [283]
10 [254]	10-1/2 [267]

PREFIXES

- ___ Z Cast Iron Body with White A.R.E. Interior*
- ___ ZN Cast Iron Body with White A.R.E. Interior, 12-1/2 [318] Square Nickel Bronze Frame and Full Grate with 1/2 [13] Openings
- ___ ZS Cast Iron Body with White A.R.E. Interior, 12-1/2 [318] Square Stainless Steel Frame and Full Grate with 1/2 [13] Openings

SUFFIXES

- | | |
|--|---|
| ___ -DX Dex-O-Tex Flange (ZN Only) | ___ -2 1/2 Grate |
| ___ -HD Stainless Steel Frame w/ X-Heavy Duty
Stainless Steel Grate (ZS Only) | ___ -3 3/4 Grate |
| ___ -HP Heel-Proof Grate (ZN Only) | ___ -4 Full Grate w/ Center Opening (2 [51] Dia. for Z)
and (3-1/32 [77] Square for ZN & ZS) |
| ___ -K Anchor Flange | ___ -6 Grate w/ 6 [152] Dia. x 6 [152] High Funnel |
| ___ -KC Anchor Flange with Seepage Holes and Clamp Collar | ___ -8 Grate w/ 8-7/8 x 3-5/8 x 3-3/4 [225 x 92 x 95]
High Oval Funnel |
| ___ -P 1/2 [13] Trap Primer Connection (See Z1023) | ___ -11 Vandal-Proof Secured Grate (ZN & ZS Only) |
| ___ -TC Neo-Loc Test Cap Gasket
(2, 3, 4 [51, 73, 102] NL Bottom Outlet Only) | ___ -15 Solid Loose Set Cover (ZN Only) |
| ___ -VPS Vandal-Proof Strainer | ___ -19 Full Hinged Grate |
| ___ -1 Less Grate | ___ -31 Stainless Steel Mesh Liner for Bucket |

* Regularly furnished unless otherwise specified.