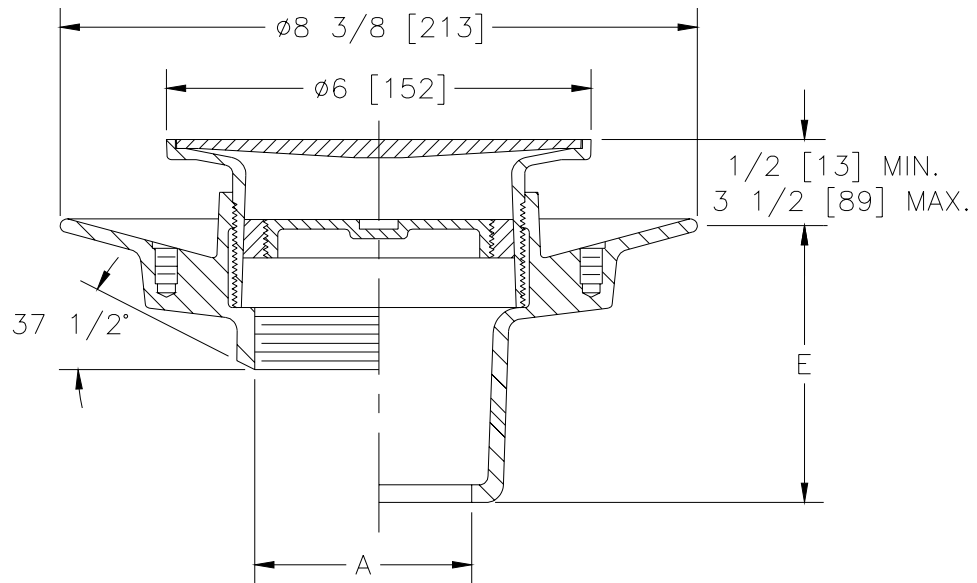




Z-1726-77

ADJUSTABLE FLOOR CLEANOUT MEDIUM DUTY

Dimensional Data (inches and [mm]) are Subject to Manufacturing Tolerances and Change Without Notice



A- Pipe Size In.	Approx. Wt. Lbs. [kg]
2-3-4-6 [50-75-100-150]	14 [6]

ENGINEERING SPECIFICATION: ZURN Z-1726-77

All Type 304 (CF8) stainless steel adjustable floor cleanout with anchor flange (clamp collar with seepage holes, when specified), bronze pipe plug and 6 [152] diameter medium vertically adjustable smooth bead-blasted top and solid gasketed cover.

OPTIONS (Check/specify appropriate options)

PIPE SIZE	(Specify size/type) OUTLET	'E' BODY HT. DIM.
2 thru 4, 6 [50 thru 100, 150]	___ BW Butt-weld (Specify Schedule 10, 40 or 80)	2 7/8 [73]
2 thru 4 [50 thru 100]	___ IC Inside Caulk	4 1/4 [108]
2 thru 4 [50 thru 100]	___ IP Threaded	2 1/2 [64]

PREFIXES

- ___ Z- Type 304 (CF8) Stainless Steel Body*
- ___ ZC- Type A-27 Carbon Steel Body (P.O.A.)
- ___ ZM- Type 316 (CF8M) Stainless Steel Body

SUFFIXES

- ___ -K Seepage Holes Only
- ___ -KC Clamp Collar With Seepage Holes
- ___ -VP Vandal Proof Secured Top

*REGULARLY FURNISHED UNLESS OTHERWISE SPECIFIED

REV.	DATE: 02/22/96	C.N. NO. 74247
DWG. NO. P-14291 PRODUCT NO. Z-1726-77		