



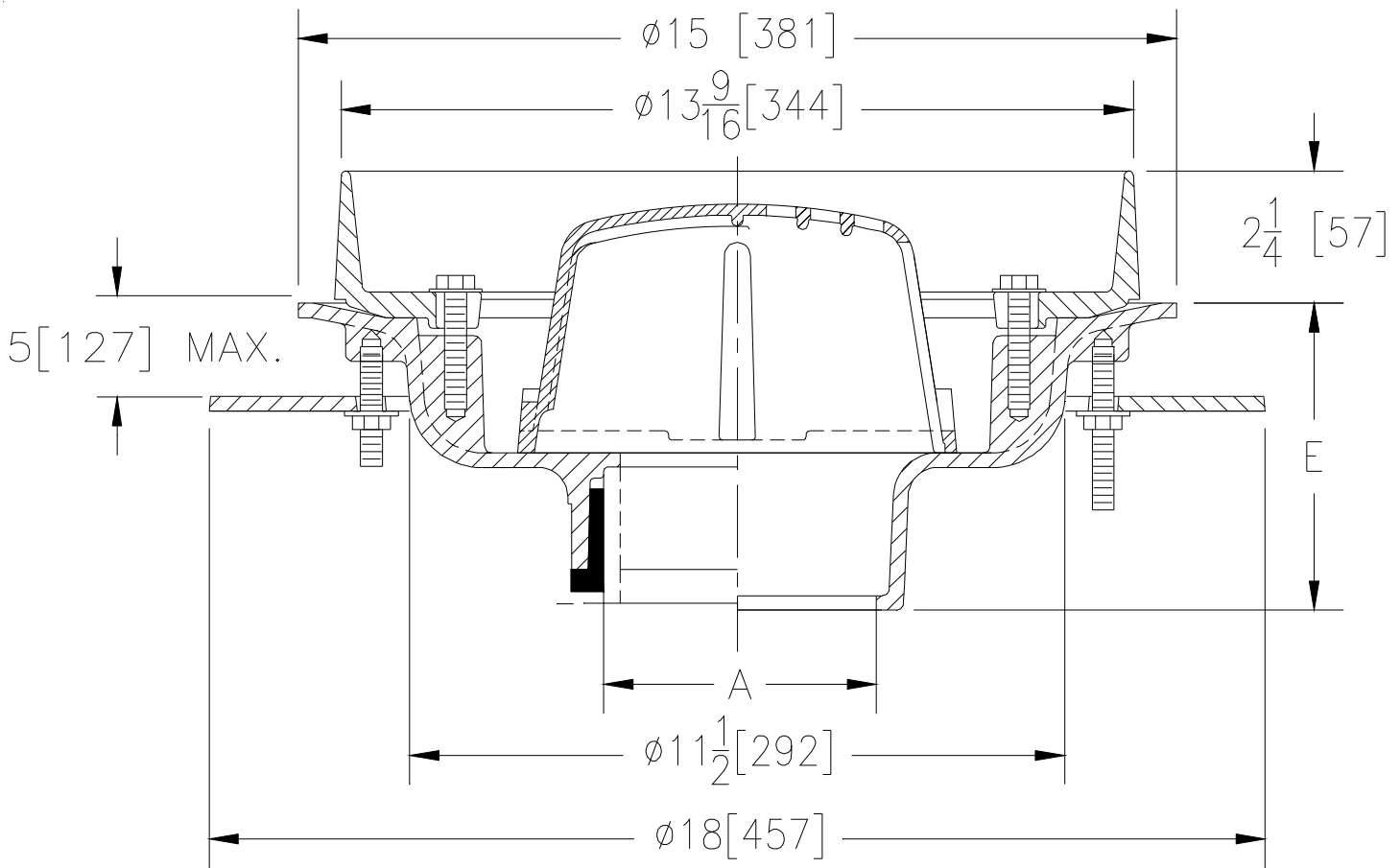
# Z108-C

## 15 [381] DIAMETER DECK RECEPTOR W/ UNDERDECK CLAMP

SPECIFICATION SHEET

TAG \_\_\_\_\_

Dimensional Data (inches and [ mm ]) are Subject to Manufacturing Tolerances and Change Without Notice



A Pipe Size in [mm]	Approx Wt. lbs [kg]
2,3,4 [51,76,102]	43 [20]
6 [152]	41 [19]
8 [203]	44 [20]

### ENGINEERING SPECIFICATION: ZURN Z108-C

15" [381mm] Diameter roof drain, Dura-Coated cast iron body with combination membrane flashing clamp/deck receptor frame, internal bottom dome strainer, and underdeck clamp.

### OPTIONS (Check/specify appropriate options)

#### PIPE SIZE

3,4,6 [76,102,152]  
 2,3,4,6, 8 [51,76,102,152,203]  
 2,3,4,6, 8 [51,76,102,152,203]  
 2,3,4 [51,76,102]

#### (Specify size/type) OUTLET

\_\_\_\_\_ IC Inside Caulk  
 \_\_\_\_\_ IP Threaded  
 \_\_\_\_\_ NH No-Hub  
 \_\_\_\_\_ NL Neo-Loc

#### E BODY HT. DIM.

5-1/4 [133]  
 3-3/4 [95]  
 5-1/4 [133]  
 4-5/8 [117]

#### PREFIXES

\_\_\_\_\_ Z D.C.C.I. Body with Collar\*

#### SUFFIXES

\_\_\_\_\_ -AR Acid Resistant Epoxy Coated  
 \_\_\_\_\_ -E Static Extension 1 [25] thru 4 [102] (Specify Ht.)  
 \_\_\_\_\_ -EA Adjustable Extension Assembly  
 2-1/8 [54] thru 3-1/2 [89]  
 \_\_\_\_\_ -FG Flush Grate (Replaces Dome Strainer)

\_\_\_\_\_ -G Galvanized Cast Iron  
 \_\_\_\_\_ -HD 6-3/4 [171] High Aluminum Dome  
 (148 sq. in. [955 cm<sup>2</sup>] open area)  
 \_\_\_\_\_ -R Roof Sump Receiver  
 \_\_\_\_\_ -TC Neo-Loc Test Cap Gasket  
 (2,3,4 [51,76,102] NL Outlet Only)

\* Regularly furnished unless otherwise specified.