



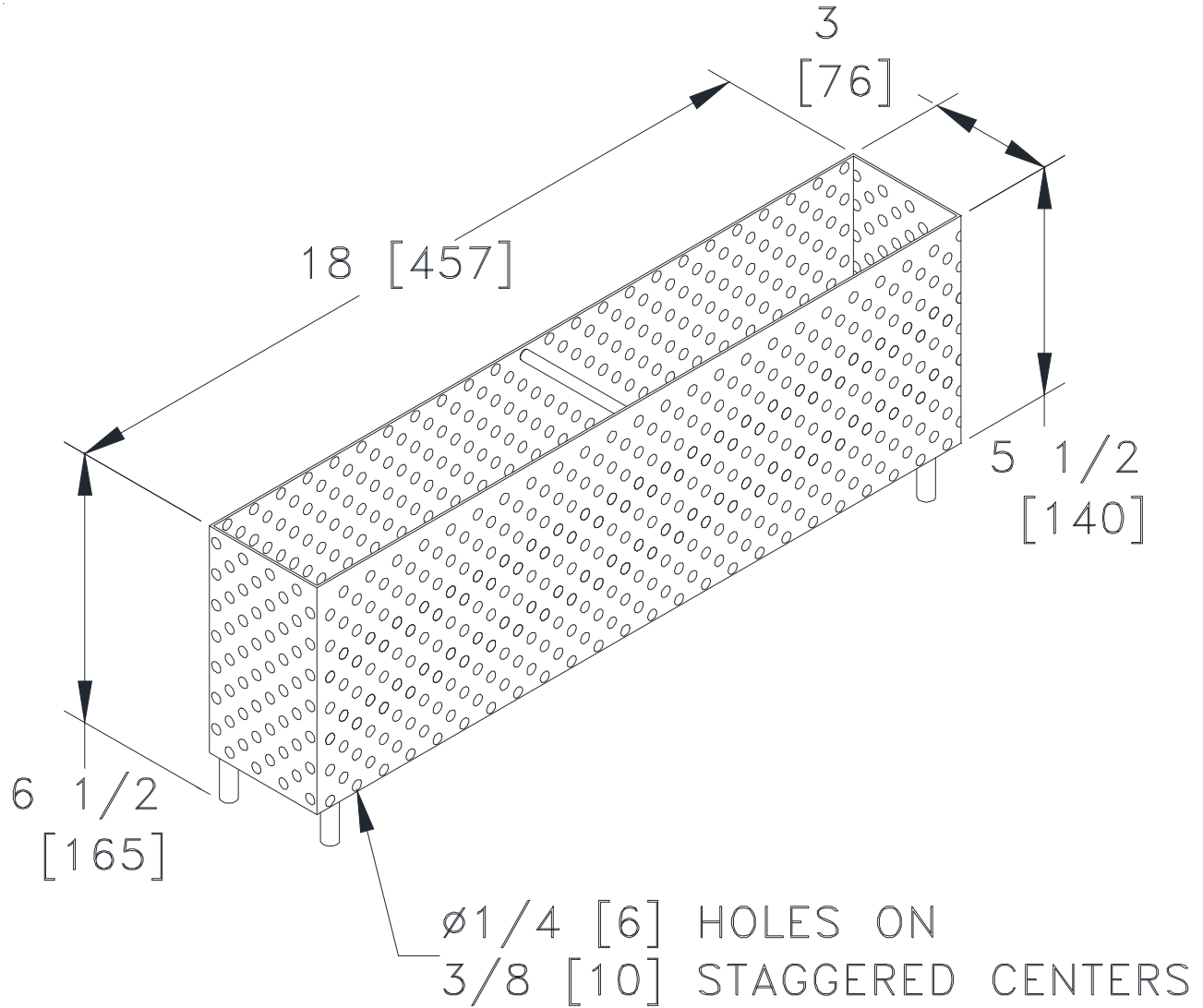
Z887-Y-76

CUSTOM 18 [457] LONG X 3 [76] WIDE SEDIMENT
BUCKET FOR 6 X 20 [152 X 508] CATCH BASIN

SPECIFICATION SHEET

TAG _____

Dimensional Data (inches and [mm]) are Subject to Manufacturing Tolerances and Change Without Notice



ENGINEERING SPECIFICATION: Zurn Z887-Y-76 6 x 20 [152 x 508] 18 [457] long x 3[76] wide Sediment Bucket. Custom fabricated to fit inside of the Z887 6 x 20 [152 x 508] polyethylene catch basin. Perforated #18 GA. carbon steel, conforms to ASTM specification A36-75 with gray acid resisting epoxy coating, or stainless steel, conforming to ASTM specification A240 (Type 304), material on all sides allowing various objects and liquids to filter through. Complete with welded on handle for easy installation and maintenance.

* Regularly furnished unless otherwise specified.

Zurn Industries, LLC | Specification Drainage Operation
1801 Pittsburgh Avenue, Erie, PA U.S.A. 16502 · Ph. 855-663-9876, Fax 814-454-7929
In Canada | Zurn Industries Limited
3544 Nashua Drive, Mississauga, Ontario L4V 1L2 · Ph. 905-405-8272, Fax 905-405-1292
www.zurn.com

Rev. -
Date: 02/26/2019
C.N. No. 141097
Prod. | Dwg. No. Z887-Y-76