



# Z415BZ-U

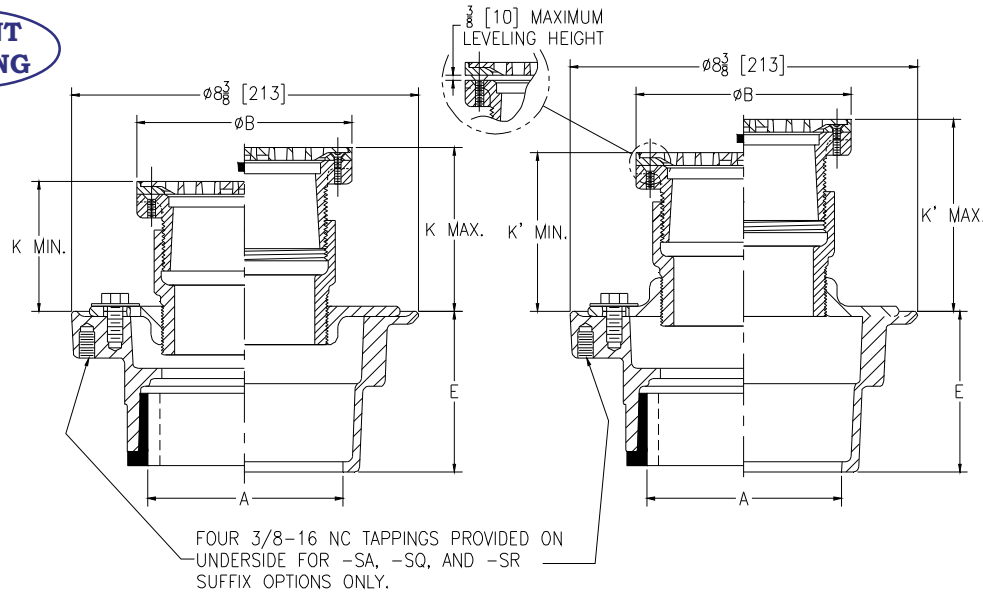
## BODY ASSEMBLY W/ "TYPE BZ" LEVELING STRAINER & EXTENSION ADAPTER

SPECIFICATION SHEET

TAG \_\_\_\_\_

Dimensional Data (inches and [ mm ]) are Subject to Manufacturing Tolerances and Change Without Notice

**PATENT  
PENDING**



Dimensions In Inches [mm]						Approx. Wt. Lbs. [kg]	Strainer Open Area Sq. In. [cm <sup>2</sup> ]
A Pipe Size	B Dia.	K		K'			
		Min.	Max.	Min.	Max.		
2,3 [51,76]	5-3/16 [132]	3-5/16 [84]	4-19/32 [117]	4-3/16 [106]	5-7/16 [138]	14 [6]	6-1/4 [40]
2,3,4 [51,76,102]	6-1/4 [159]	3-3/4 [95]	4-5/8 [117]	4-11/32 [110]	5-9/16 [141]	16 [7]	9 [58]

### ENGINEERING SPECIFICATION: ZURNZN415BZ-U

Floor and shower drain, Dura-Coated cast iron body with bottom outlet, combination invertible membrane clamp, 3" [76mm] high extension adapter and adjustable collar with seepage slots and "TYPE BZ" polished nickel bronze, light-duty, leveling strainer.

### OPTIONS (Check/specify appropriate options)

#### PIPE SIZE

2,3,4 [51,76,102]  
 2,3,4 [51,76,102]  
 2 [51]  
 3 [76]  
 4 [102]  
 2,3,4 [51,76,102]  
 2,3,4 [51,76,102]

#### (Specify size/type) OUTLET

\_\_\_ IC Inside Caulk  
 \_\_\_ IG Inside Gasket  
 \_\_\_ IP Threaded  
 \_\_\_ IP Threaded  
 \_\_\_ IP Threaded  
 \_\_\_ NH No-Hub  
 \_\_\_ NL Neo-Loc

#### 'E' BODY HT. DIM.

3-7/8 [98]  
 3-7/8 [98]  
 2-3/8 [60]  
 2-5/8 [67]  
 2-7/8 [73]  
 3-7/8 [98]  
 3-3/4 [95]

### PREFIXES

\_\_\_ ZB D.C.C.I. Body Assembly w/ Polished Bronze Top  
 \_\_\_ ZN D.C.C.I. Body Assembly w/ Polished Nickel Bronze Top\*

### SUFFIXES

\_\_\_ -AA All Acid Resisting Epoxy  
 \_\_\_ -AR Acid Resisting Epoxy Coated Cast Iron  
 \_\_\_ -CP Chrome-Plated Bronze Top  
 \_\_\_ -DP Decorative Polished Top  
 \_\_\_ -G Galvanized Cast Iron  
 \_\_\_ -OF Oval Funnel (Z329-7) (6 [152] Strainer Only)  
 \_\_\_ -P Trap Primer Connection (Specify 1/2 [13] or 3/4 [19])  
 \_\_\_ -PC Protective Cover  
 \_\_\_ -SA Stabilizer Assembly (See Z1035)  
 \_\_\_ -SQ Stabilizer Q-Deck (See Z1035-Q)  
 \_\_\_ -SR Stabilizer Ring  
 \_\_\_ -TC Neo-Loc Test Cap Gasket (2-4 [51-102] NL Outlet Only)  
 \_\_\_ -V Backwater Valve  
 \_\_\_ -VP Vandal-Proof Secured Top  
 \_\_\_ -Y Sediment Bucket  
 \_\_\_ -4 4 [102] Diameter Funnel (Z328)  
 \_\_\_ -90 90° Threaded Side Outlet Body Assembly (2 [51], 3 [76] Only)

\*\* For Installation Instructions, See Form #FD86.

\* Regularly furnished unless otherwise specified.

### Zurn Industries, LLC | Specification Drainage Operation

1801 Pittsburgh Avenue, Erie, PA U.S.A. 16502 · Ph. 855-663-9876, Fax 814-454-7929

In Canada | Zurn Industries Limited

3544 Nashua Drive, Mississauga, Ontario L4V 1L2 · Ph. 905-405-8272, Fax 905-405-1292

[www.zurn.com](http://www.zurn.com)

Rev. -

Date: 04/03/17

C.N. No. 136538

Prod. | Dwg. No. Z415BZ-U