



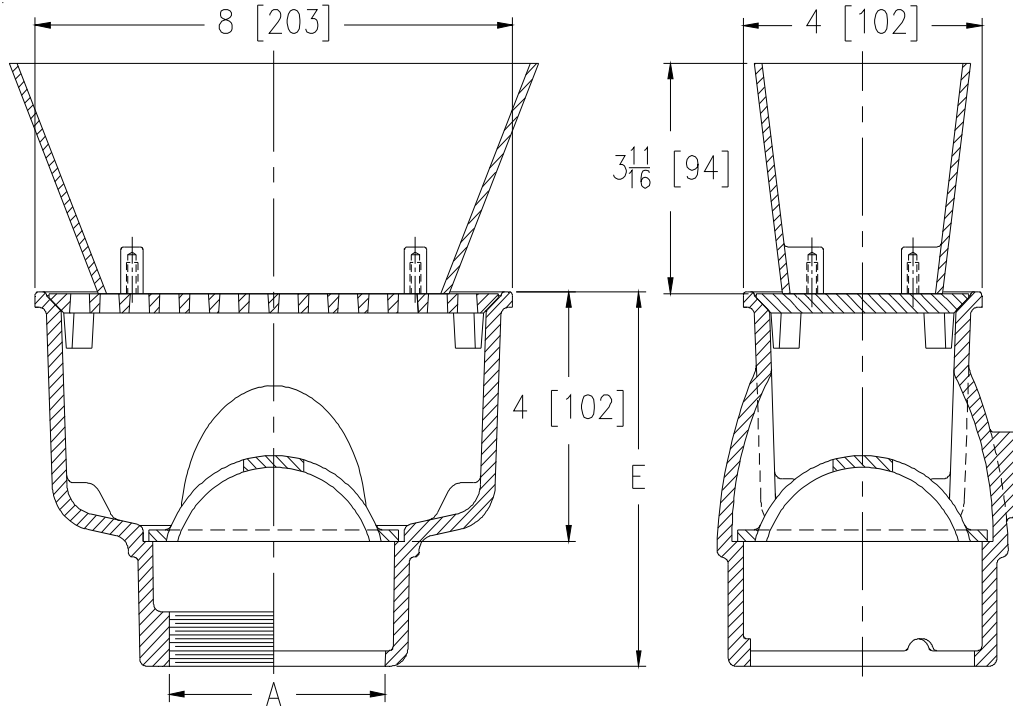
Z1930-8

8 X 4 [203 X 102] A.R.C. SANI-FLOR RECEPTOR
 4 [102] SUMP DEPTH W/ 8-7/8 X 3-5/8 X 3-3/4
 [225 X 92 X 95] OVAL FUNNEL

SPECIFICATION SHEET

TAG _____

Dimensional Data (inches and [mm]) are Subject to Manufacturing Tolerances and Change Without Notice



A- Pipe Size In. [mm]	Approx. Wt. Lbs. [kg]	Grate Open Area Sq. In. [cm ²]
2,3 [51,76]	15 [7]	7.5 [48]

ENGINEERING SPECIFICATION: ZURN Z1930-8
 Sani-Flor Receptor 8" x 4" x 4" [203mm x 102mm x 102mm] deep cast iron body and square slotted light duty grate with 8-7/8" x 3-5/8" x 3-3/4" [225mm x 92mm x 95mm] high oval funnel, with white acid resisting epoxy coated interior and top, and white ABS anti-splash interior bottom dome strainer.

OPTIONS (Check/specify appropriate options)

PIPE SIZE

(Specify size/type) **OUTLET**

'E' BODY HT. DIMENSION

3 [76]
 2,3 [51,76]
 2,3 [51,76]

___ IC Inside Caulk
 ___ IP Threaded
 ___ NL Neo-Loc

Z	ZN
6 [152]	6-3/8 [162]
6 [152]	6-3/8 [162]
5-13/16 [148]	6-3/16 [157]

PREFIXES

- ___ Z Cast Iron Body with White A.R.C. Interior*
- ___ ZN Cast Iron Body with White A.R.C. Interior, 8-3/4 x 4-3/4 [222 x 121] Nickel Bronze Frame and Full Grate with 5/16 [8] Square Openings

SUFFIXES

- | | |
|---|---|
| ___ -K Anchor Flange with Seepage Holes | ___ -11 Vandal-Proof Secured Grate |
| ___ -KC Anchor Flange with Seepage Holes and Clamp Collar | ___ -23 Stainless Steel Bucket |
| ___ -LD Less Bottom Dome Strainer | ___ -25 White A.R.C. Bucket |
| ___ -P 1/2 [13] Trap Primer Connection | ___ -31 Stainless Steel Mesh Liner for Bucket |
| ___ -S Secondary Strainer | ___ -32 Aluminum Dome Strainer |
| ___ -TC Neo-Loc Test Cap Gasket (2,3 [51,76] NL Bottom Outlet Only) | ___ -33 White A.R.C. Anti-Splash Bottom Dome Strainer |

* Regularly furnished unless otherwise specified.