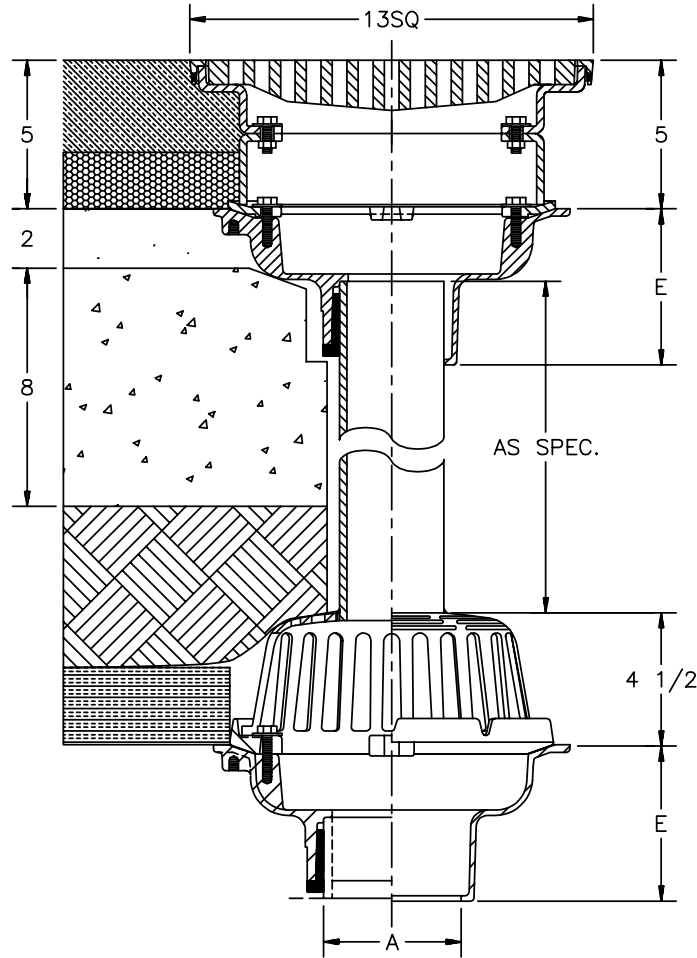




ZN-121-81 13" SQUARE PLAZA DRAIN

TAG _____

Dimensional Data (inches or [mm]) are Subject to Manufacturing Tolerances and Change Without Notice



A Pipe Size In.	Approx. Wt. Lbs.	Grate Open Area Sq. In.
2-3-4-5-6	96	44

ENGINEERING SPECIFICATION: ZURN ZN-121-80 13" Square top drain. Dura-Coated cast iron body with combination membrane flashing clamp/gravel guard, dome, standpipe, secondary body, with flat clamping collar, adjustable extension frame combination and grate with 1/2" square holes.

OPTIONS (Check/specify appropriate options)

OUTLET (Specify type)

- _____ **IC** Inside Caulk
- _____ **IG** Inside Caulk w/Sealtrol Gskt.
- _____ **IP** Threaded
- _____ **NH** No-Hub
- _____ **NL** Neo-Loc

PIPE SIZE (Specify size)

- _____ 2", 3", 4", 6"
- _____ 2", 3", 4", 6"
- _____ 2", 3", 4", 6"
- _____ 2", 3", 4", 6"
- _____ 2", 3", 4"

**'E' BODY HT.
DIMENSION**

- 5-1/4"
- 5-1/4"
- 3-3/4"
- 5-1/4"
- 4-5/8"

PREFIXES

- _____ **ZN-** D.C.C.I. Body with Polished Bronze Top.*
- _____ **ZB-** D.C.C.I. Body with Polished Nickel Bronze Top.

*REGULARLY FURNISHED UNLESS OTHERWISE SPECIFIED

REV.	DATE: 4/29/94	C.N. NO. 72274
DWG. NO. P-13973 PRODUCT NO. Z-121-81		

ZURN INDUSTRIES, INC. ♦ SPECIFICATION DRAINAGE OPERATION ♦ 1801 Pittsburgh Ave. ♦ Erie, PA 16514

Phone: 814/455-0921 ♦ Fax: 814/454-7929 ♦ World Wide Web: www.zurn.com

In Canada: ZURN INDUSTRIES LIMITED ♦ 3544 Nashua Drive ♦ Mississauga, Ontario L4V1L2 ♦ Phone: 905/405-8272 Fax: 905/405-1292