



Z1800-12S-SGM

12 x 12 x 6 [305 x 305 x 152] SQUARE INDUSTRIAL FLOOR DRAIN W/MEDIUM-DUTY SLOTTED GRATE

SPECIFICATION SHEET

TAG _____

Dimensional Data (inches and [mm]) are Subject to Manufacturing Tolerances and Change Without Notice

Engineering Specification: ZURN Z1800-12S-SGM
12" x 12" x 6" [305mm x 305mm x 152mm] deep, 18 gage, all type 304 (CF8) stainless steel square industrial floor drain with medium-duty slotted grate, reinforced top frame, perforated removable sediment bucket with lift handle, pre-sloped bottom sump, and pre-pour stabilizing anchor tabs.

Approx. Wt. Lbs. [kg]	Grate Open Area Sq. In. [cm ²]
20 [9]	28.9 [186]

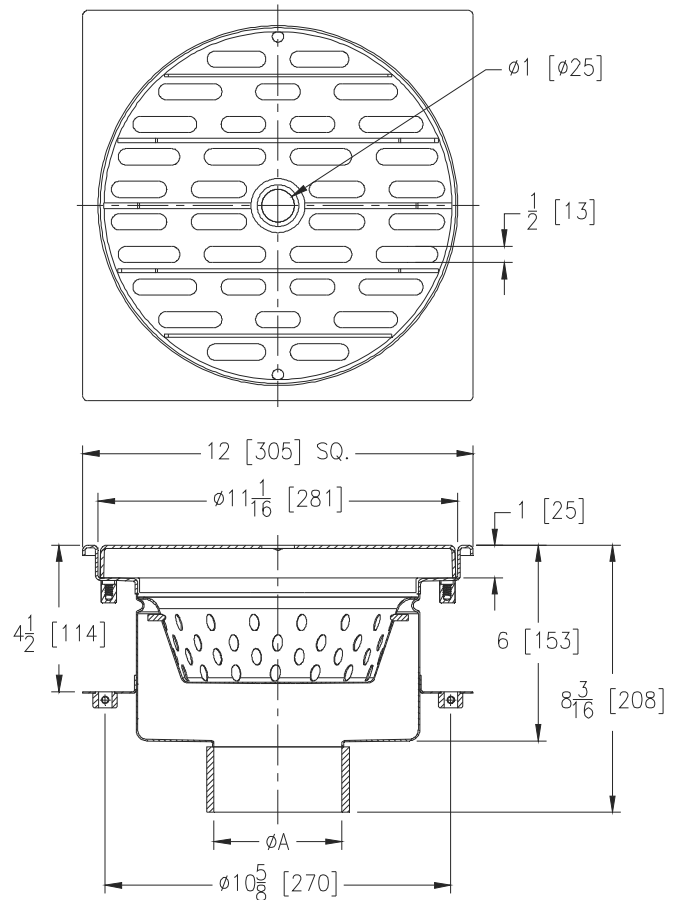
Options (Check/specify appropriate options)

Pipe Size (ØA) (Specify size/type) **Outlet**
 3,4,6 [76,102,152] ___ BW Butt-Weld (Sch. 10)
 3,4,6 [76,102,152] ___ NH No-Hub

Prefixes
 ___ Z Type 304 (CF8) Stainless Steel*
 ___ ZM Type 316 (CF8M) Stainless Steel

Suffixes
 ___ -B Bell Trap/Solid Sediment Bucket
 ___ -KC Anchor Flange w/Seepage Holes and Clamp Collar
 ___ -P ø1/2 [13] Trap Primer Connection
 ___ -SA Stabilizer Assembly (Z1036)
 3 [76] and 4 [102] outlets only
 ___ -TS Top Secured Grate
 ___ -VH Vacuum Handle (-GCX Cover Only)
 ___ -3PT 3 [76] Stainless Steel P-Trap
 ___ -4PT 4 [102] Stainless Steel P-Trap
 ___ -6PT 6 [152] Stainless Steel P-Trap

Grate Options
 ___ -GCX Extra-Heavy-Duty Gas Tight Solid Cover
 ___ -PCS Special-Duty Perimeter Drainage Cover
 (9.7 Sq. In. [63 cm²] Open Area)
 ___ -PGM Medium-Duty Perforated Grate
 (27.3 Sq. In. [176 cm²] Open Area)
 ___ -SGH Heavy-Duty Slotted Grate
 (28.9 Sq. In. [186 cm²] Open Area)



* Regularly furnished unless otherwise specified.