

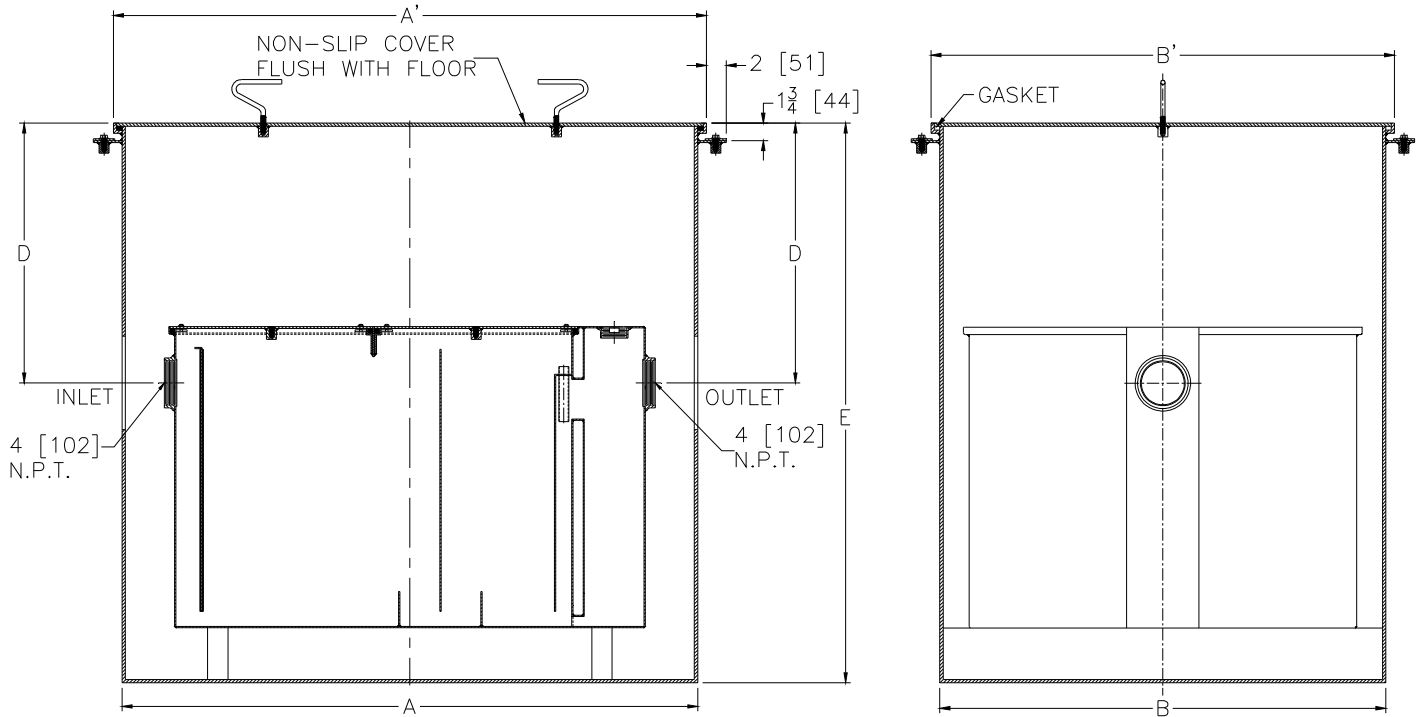


**Z1172-158**  
**LARGE CAPACITY GREASE INTERCEPTOR**  
**W/EXTENDED ENCLOSED RECESSING RECEIVER**  
**W/ANCHOR FLANGE AND CLAMP COLLAR**

SPECIFICATION SHEET

TAG \_\_\_\_\_

Dimensional Data (inches and [ mm ]) are Subject to Manufacturing Tolerances and Change Without Notice



Size	Dimensions In Inches [mm]					
	A	A'	B	B'	D	E
1100	57 1/2 [1461]	59 1/2 [1511]	44 1/2 [1130]	46 1/2 [1181]	26 [660]	56 [1422]

**ENGINEERING SPECIFICATION: ZURN Z1172-158**

Acid Resistant Epoxy Coated Recessing receiver, enclosed type, equipped with integral extension, anchor flange with clamp collar, and gasketed non-skid cover with removable lift handles. Complete with #1100 Z1172 Grease Interceptor. For interceptor specifications see Z1172 specification sheet.

**PREFIXES**

— Z Acid Resistant Coated Fabricated Steel\*

REV.	DATE: 11/11/09	C.N. NO. 110409
DWG. NO. P-15799	PRODUCT NO. Z1172-158	

\*REGULARLY FURNISHED UNLESS OTHERWISE SPECIFIED