



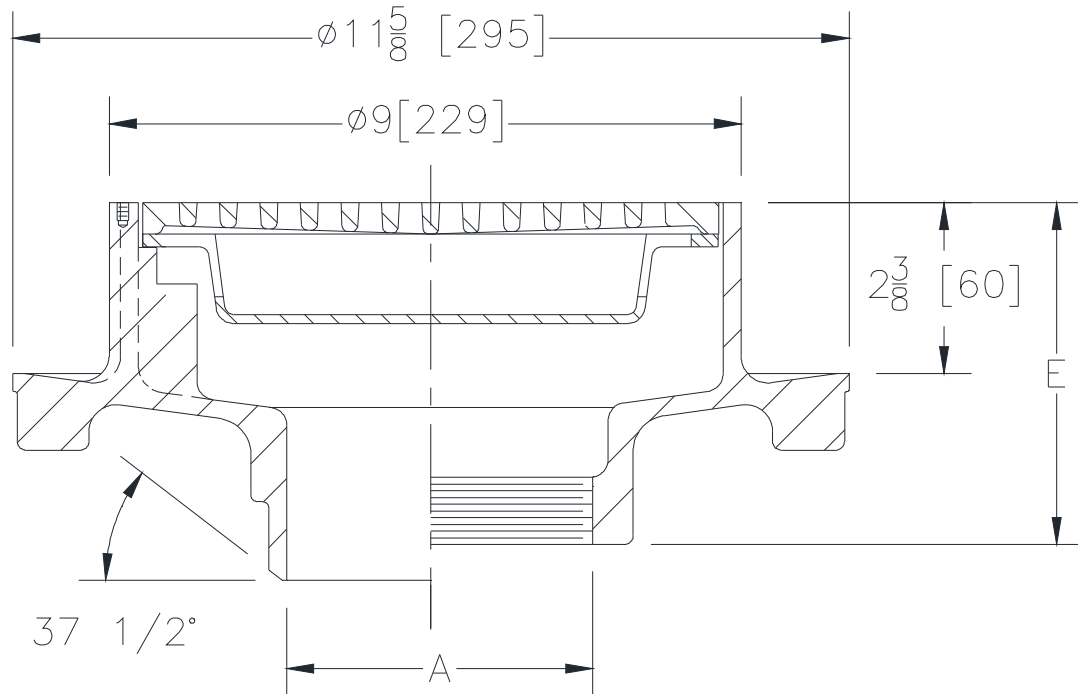
Z1731-Y

FLOOR DRAIN MEDIUM DEPTH W/ SEDIMENT BUCKET

SPECIFICATION SHEET

TAG _____

Dimensional Data (inches and [mm]) are Subject to Manufacturing Tolerances and Change Without Notice



A - Pipe Size In. [mm]	Approx. Wt. Lbs. [kg]	Grate Open Area Sq. In. [cm ²]
3,4 [76,102]	24 [11]	21 [135]

ENGINEERING SPECIFICATION: ZURN Z1731-Y
 9" [229mm] All Type 304 (CF8) stainless steel heavy duty floor drain with integral anchor flange, loose set grate with plain finish and sediment bucket.

OPTIONS (Check/specify appropriate options)

PIPE SIZE

3,4 [76,102]

3,4 [76,102]

3,4 [76,102]

3,4 [76,102]

(Specify size/type) OUTLET

___ BW Butt-weld
(Specify Schedule 10 or 40)

___ IC Inside Caulk

___ IP Threaded

___ NH Threaded

'E' BODY HT. DIM.

5-11/16 [145]

5-11/16 [145]

5-11/16 [145]

5-11/16 [145]

PREFIXES

- ___ Z Type 304 (CF8) Stainless Steel Body*
- ___ ZM Type 316 (CF8M) Stainless Steel Body

SUFFIXES

- ___ -K Anchor Flange w/ Seepage Holes
- ___ -KC Anchor Flange w/ Seepage Holes and Clamp Collar
- ___ -TS Top Secured with Slotted Screws
- ___ -VP Vandal Proof Secured Top

* Regularly furnished unless otherwise specified.