



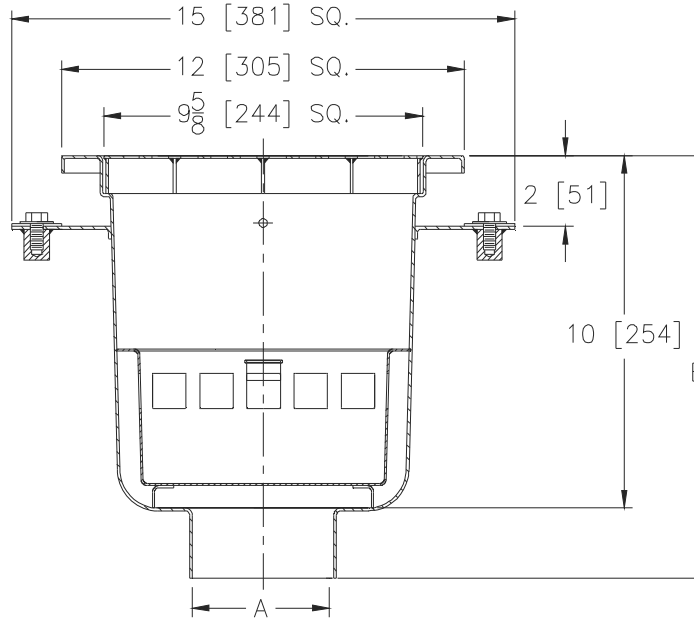
# Z1752-144

SPECIFICATION SHEET

## 12 X 12 [305 X 305] SANI-FLOR RECEPTOR 10 [254] SUMP DEPTH W/ ANCHOR FLANGE, CLAMP COLLAR, SEDIMENT BUCKET, AND SCHEDULE 10, 4 [102] BUTTWELD OUTLET

TAG \_\_\_\_\_

Dimensional Data (inches and [ mm ]) are Subject to Manufacturing Tolerances and Change Without Notice



A Pipe Size In.	Approx. Wt. Lbs.	Grate Open Area Sq. In. [cm <sup>2</sup> ]
4 [102]	22 [10]	23 [148]

### ENGINEERING SPECIFICATION: ZURN Z1752-144

12 [305] x 12 [305] x 10 [254] deep, 16 gage, All Type 304 (CF8) Stainless Steel light duty Sani-Flor receptor with anchor flange w/ seepage holes, clamp collar and non-tilt, loose set full grate with 1/2 [13] square openings and sediment bucket.

### OPTIONS (Check/specify appropriate options)

#### PIPE SIZE

4 [102]

#### (Specify size/type) OUTLET

\_\_\_ BW Buttweld (Schedule 10)

#### 'E' BODY HT. DIM.

8-1/16 [205]

#### PREFIXES

- \_\_\_ Z Type 304 (CF8) Stainless Steel Body\*
- \_\_\_ ZM Type 316 (CF8M) Stainless Steel

#### SUFFIXES

- |          |   |         |  |
|----------|---|---------|--|
| ___ -DX  | Dex-o-tex Flange  | ___ -3  | 3/4 Grate                                      |
| ___ -HD  | Extra Heavy-Duty Grate  | ___ -4  | Full Grate w/ 3 [76] Square Opening            |
| ___ -HP  | Heel-Proof Grate  | ___ -5  | Grate w/ 4 [102] Dia. x 3-3/4 [95] High        |
| ___ -LSH | (Less) Seepage Holes  |         | Type 304 Stainless Steel Funnel                |
| ___ -P   | 1/2 [13] Trap Primer Connection                                 | ___ -8  | Grate w/ 8-3/8 x 3-5/8 x 3-3/4 [213 x 92 x 95] |
| ___ -SG  | Solid Gasketed Cover  |         | High Type 304 Stainless Steel Oval Funnel      |
| ___ -TC  | Neo-Loc Test Cap Gasket<br>(2-4 [51-102] NL Bottom Outlet Only) | ___ -15 | Solid Cover                                    |
| ___ -VP  | Vandal-Proof Secured Top  | ___ -16 | 1/2 Solid Cover                                |
| ___ -YS  | Suspended Sediment Bucket                                       | ___ -17 | 3/4 Solid Cover                                |
| ___ -1   | (Less) Grate  | ___ -18 | Solid Cover w/ 3 [76] Square Center Opening    |
| ___ -2   | 1/2 Grate   | ___ -19 | Full Hinged Grate                              |
|          |   | ___ -20 | Full Hinged Solid Cover                        |

\* Regularly furnished unless otherwise specified.