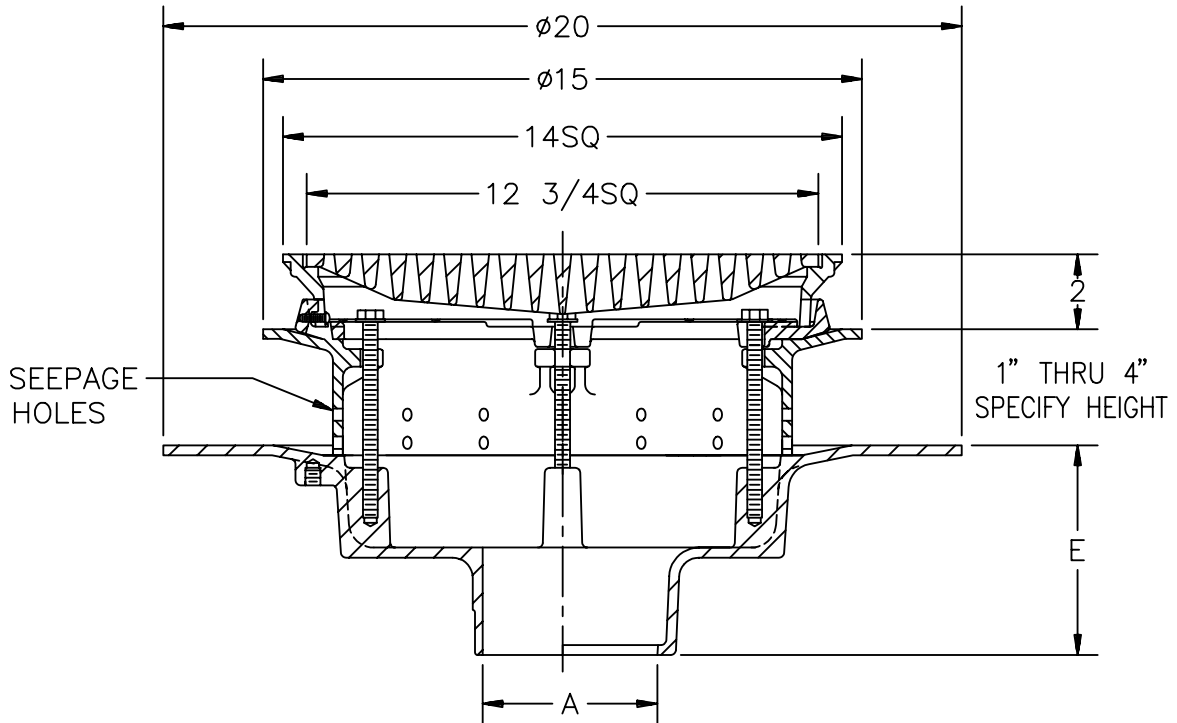




# Z-107-79 WIDE FLANGE DRAIN

TAG \_\_\_\_\_

Dimensions Subject to Manufacturing Tolerances



A- Pipe Size In.	Approx. Wt. Lbs	Grate Open Area Sq. In.
2-3-4	70	44
5-6		
8	71	
10		

**ENGINEERING SPECIFICATION:** ZURN Z-107-79 20" Diameter drain, Dura-Coated cast iron wide flange body with static extension with seepage holes, promenade frame and heavy-duty, heel proof grate.

**OPTIONS** (Check/specify appropriate options)

**OUTLET** (Specify type)

- \_\_\_\_\_ **IC** Inside Caulk
- \_\_\_\_\_ **IG** Inside Caulk w/Sealtrol Gskt.
- \_\_\_\_\_ **IP** Threaded
- \_\_\_\_\_ **NH** No-Hub
- \_\_\_\_\_ **NL** Neo-Loc

**PIPE SIZE** (Specify size)

- \_\_\_\_\_ 2" thru 6", 8", 10"
- \_\_\_\_\_ 2" thru 4", 6"
- \_\_\_\_\_ 2" thru 6", 8", 10"
- \_\_\_\_\_ 2" thru 6", 8", 10"
- \_\_\_\_\_ 2" thru 4"

**'E' BODY HT. DIMENSION**

- 5-1/4"
- 5-1/4"
- 3-3/4"
- 5-1/4"
- 4-5/8"

**PREFIXES**

- \_\_\_\_\_ **Z-** D.C.C.I. Body with Grate\*
- \_\_\_\_\_ **ZB-** D.C.C.I. Body with Polished Bronze Grate
- \_\_\_\_\_ **ZN-** D.C.C.I. Body with Polished Nickel Bronze Grate

**SUFFIXES**

- \_\_\_\_\_ **-C** Underdeck Clamp
- \_\_\_\_\_ **-DG** Duresist Grate
- \_\_\_\_\_ **-EA** Adjustabale Extension Assembly 1-3/4" thru 3-1/2"
- \_\_\_\_\_ **-G** Galvanized Cast Iron
- \_\_\_\_\_ **-S** Secondary Clamp Collar
- \_\_\_\_\_ **-VP** Vandal Proof Secured Top
- \_\_\_\_\_ **-XJ** Vertical Expansion Joint (See Z-190)
- \_\_\_\_\_ **-90** 90° Threaded Side Outlet Body (2" thru 6") (Previously Z-153)

\*REGULARLY FURNISHED UNLESS OTHERWISE SPECIFIED

REV. _____	DATE: <u>2/9/93</u>	C.N. NO. <u>68665</u>
DWG. NO. <u>P-13793</u>	PRODUCT NO. <u>Z-107-79</u>	