



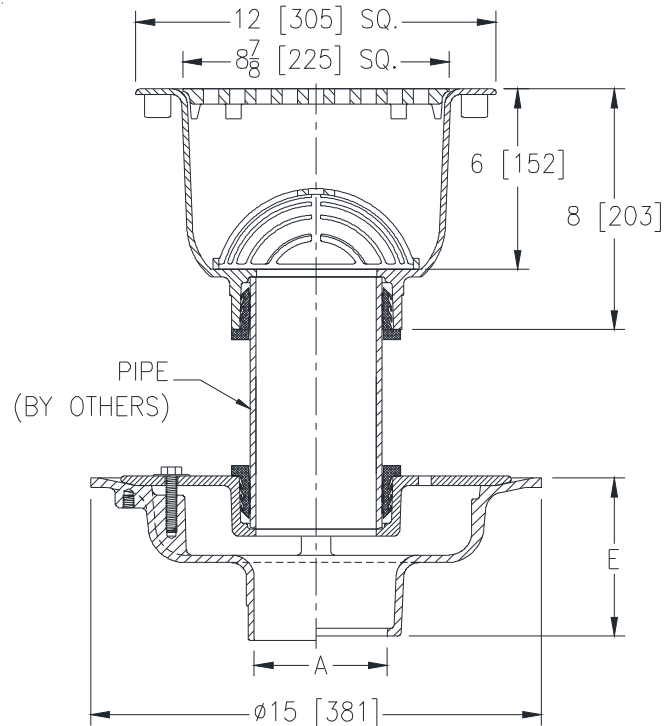
# Z1900-97

12 x 12 [305 x 305] A.R.E. SANI-FLOR RECEPTOR W/  
6 [152] SUMP, LOWER Z624 BODY, AND PIPING (BY  
OTHERS)

SPECIFICATION SHEET

TAG \_\_\_\_\_

Dimensional Data (inches and [ mm ]) are Subject to Manufacturing Tolerances and Change Without Notice



A - Pipe Size In [mm]	Approx. Wt. Lbs [kg]	Grate Open Area Sq. In. [cm <sup>2</sup> ]
2, 3, 4 [51, 76, 102]	42 [19]	18 [116]
6 [152]		

**ENGINEERING SPECIFICATION: ZURN Z1900-97**

Sani-Flor Receptor 12" x 12" x 6" [305mm x 305mm x 152mm] deep cast iron body and square slotted light duty grate, with white acid resisting porcelain enamel interior and top, complete with white ABS anti-splash interior bottom dome strainer. Lower Z624 Dura-Coated cast iron lower body, clamp collar with weep holes, neoprene flex gasket, and 4" Neo-Loc upper body.

**OPTIONS** (Check/specify appropriate options)

**PIPE SIZE**

- 2,3,4,6 [51,76,102,152]
- 2,3,4,6 [51,76,102,152]
- 2,3,4,6 [51,76,102,152]
- 2,3,4 [51,76,102]

(Specify size/type) **OUTLET**

- \_\_\_\_\_ IC Inside Caulk
- \_\_\_\_\_ IP Threaded
- \_\_\_\_\_ NH No-Hub
- \_\_\_\_\_ NL Neo-Loc

**'E' BODY HT. DIM.**

- 5-1/4 [133]
- 3-3/4 [95]
- 5-1/4 [133]
- 4-5/8 [117]

**PREFIXES**

- \_\_\_ Z Cast Iron Body with White A.R.E. Interior\*

**SUFFIXES**

- |  |  |
|--|--|
| ___ -AA All Acid Resisting Epoxy (Lower Body)                                | ___ -3 3/4 Grate (Upper Body)                              |
| ___ -AR Acid Resisting Epoxy Coated Cast Iron (Lower Body)                   | ___ -4 Full Grate with Square Center Opening (Upper Body)  |
| ___ -G Galvanized Cast Iron (Lower Body)                                     | ___ -23 Aluminum Bucket (Upper Body)                       |
| ___ -K Anchor Flange (Upper Body)  | ___ -25 White A.R.C. Bucket (Upper Body)                   |
| ___ -KC Anchor Flange with Seepage Holes and Clamp Collar (Upper Body)       | ___ -31 Stainless Steel Mesh Liner for Bucket (Upper Body) |
| ___ -LD (Less) Bottom Dome Strainer  | ___ -32 Aluminum Dome Strainer (Upper Body)                |
| ___ -TC Neo-Loc Test Cap Gasket (4 [102] NL Bottom Outlet Only) (Lower Body) | ___ -33 White A.R.C. Anti-Splash Bottom Dome Strainer      |
| ___ -1 (Less) Grate (Upper Body)   | ___ -34 N.B. Anti-Splash Bottom Dome Strainer (Upper Body) |
| ___ -2 1/2 Grate (Upper Body)  |  |

\* Regularly furnished unless otherwise specified.