



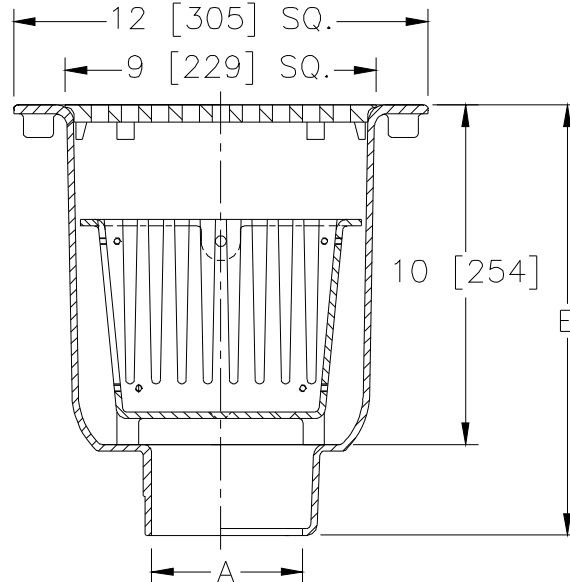
# Z1902-23

12 X 12 [305 X 305] A.R.E. SANI-FLOR RECEPTOR,  
10 [254] SUMP DEPTH & ALUMINUM BUCKET

SPECIFICATION SHEET

TAG \_\_\_\_\_

Dimensional Data (inches and [ mm ]) are Subject to Manufacturing Tolerances and Change Without Notice



A Pipe Size In. [mm]	Approx Wt. Lbs. [kg]	Grate Open Area Sq. In. [cm <sup>2</sup> ]
2,3,4 [51,76,102]	36 [13]	31 [200]

**ENGINEERING SPECIFICATION: ZURN Z1902-23**

Sani-Flor receptor 12" x 12" x 10" [305mm x 305mm x 254mm] deep cast iron body and square slotted light duty grate, with white acid resisting porcelain enamel interior and top, complete aluminum bucket.

**OPTIONS** (Check/specify appropriate options)

**PIPE SIZE**

- 3, 4 [76, 102]
- 2, 3, 4 [51, 76, 102]
- 2, 3, 4 [51, 76, 102]

(Specify size/type) **OUTLET**

- \_\_\_ IC Inside Caulk
- \_\_\_ NH No-Hub
- \_\_\_ NL Neo-Loc

**'E' BODY HT. DIMENSION**

Z	ZN / ZS
12-5/8 [321]	13-1/8 [333]
12-5/8 [321]	13-1/8 [333]
12 [305]	12-1/2 [318]

**PREFIXES**

- \_\_\_ Z Cast Iron Body w/ White A.R.E. Interior\*
- \_\_\_ ZN Cast Iron Body w/ White A.R.E. Interior, 12-1/2 [318] Square Nickel Bronze Frame and Full Grate with 1/2 [13] Openings
- \_\_\_ ZS Cast Iron Body w/ White A.R.E. Interior, 12-1/2 [318] Square Stainless Steel Frame and Full Grate with 1/2 [13] Openings

**SUFFIXES**

- |  |   |
|--|---|
| ___ -DX Dex-O-Tex Flange (ZN Only)   | ___ -1 Less Grate   |
| ___ -HD Stainless Steel Frame w/ Extra-Heavy Duty<br>Stainless Steel Grate (ZS Only) | ___ -2 1/2 Grate  |
| ___ -HP Heel-Proof Grate (ZN Only)   | ___ -3 3/4 Grate  |
| ___ -K Anchor Flange   | ___ -4 Full Grate w/ Center Opening (2 [51] Dia. for Z<br>and 3-1/32 [77] Square for ZN & ZS) |
| ___ -KC Anchor Flange w/ Seepage Holes and<br>Clamp Collar                           | ___ -6 Grate w/ 6 [152] Dia. x 6 [152] High Funnel  |
| ___ -P 1/2 [13] Trap Primer Connection (See Z1023)                                   | ___ -8 Grate w/ 8-7/8 x 3-5/8 x 3-3/4 [225 x 92 x 95]<br>High Oval Funnel                     |
| ___ -SA Stabilizer Assembly (See Z1903)  | ___ -11 Vandal-Proof Secured Grate (ZN & ZS Only)   |
| ___ -TC Neo-Loc Test Cap Gasket<br>(2, 3, 4 [51, 76, 102] NL Bottom Outlet Only)     | ___ -15 Solid Loose Set Cover (Z & ZN Only)   |
| ___ -VPS Vandal-Proof Strainer   | ___ -19 Full Hinged Grate (ZN Only)   |
|  | ___ -31 Stainless Steel Mesh Liner for Bucket   |

\* Regularly furnished unless otherwise specified.