



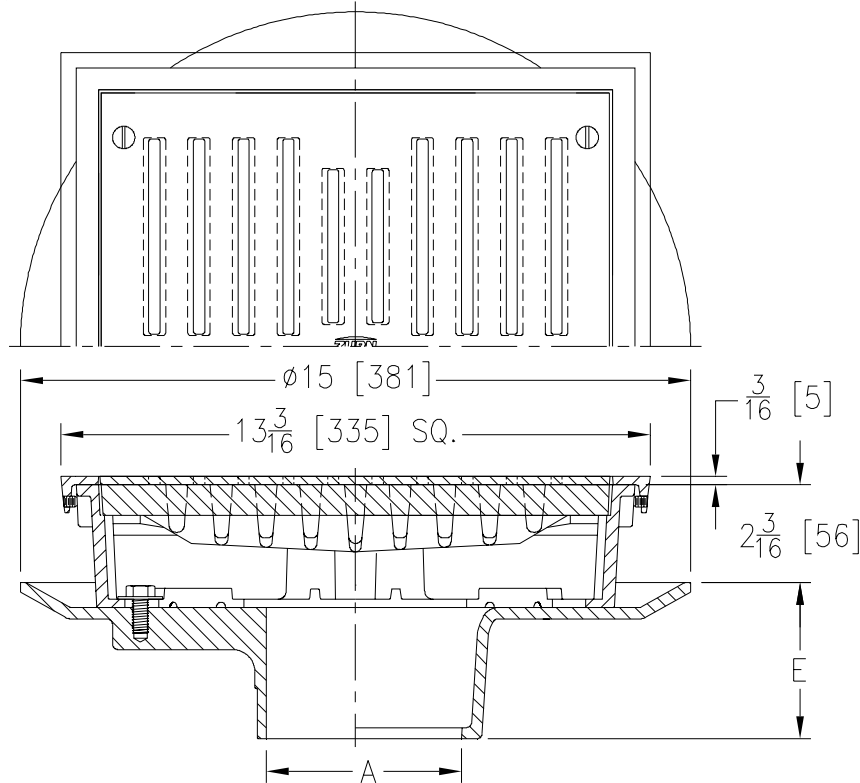
ZN509-81

13 3/16 [335] SQUARE TOP HEAVY-DUTY DRAIN W/ HEEL-PROOF GRATE

SPECIFICATION SHEET

TAG _____

Dimensional Data (inches and [mm]) are Subject to Manufacturing Tolerances and Change Without Notice



A Pipe Size In.	Approx. Wt. Lbs. [kg]	Grate Open Area Sq. In. [cm ²]
3-4-6 [76-102-152]	46 [2]	21 [135]

ENGINEERING SPECIFICATION: ZURN ZN509-81

13 3/16 [335] Square top drain. Dura-Coated cast iron body with bottom outlet, seepage pan and combination membrane flashing clamp and frame, heavy-duty grate and nickel bronze top with heel-proof grate.

OPTIONS (Check/specify appropriate options)

PIPE SIZE

- 3-4-6 [76-102-152]
- 3-4-6 [76-102-152]
- 3-4-6 [76-102-152]
- 3-4-6 [76-102-152]
- 3-4 [76-102]

(Specify size/type) OUTLET

- ___ IC Inside Caulk
- ___ IG Inside Caulk w/Sealtrol Gskt.
- ___ IP Threaded
- ___ NH No-Hub
- ___ NL Neo-Loc

'E' BODY HT. DIM.

- 3 1/2 [89]
- 3 1/2 [89]
- 3 1/2 [89]
- 3 1/2 [89]
- 2 5/8 [67]

PREFIXES

- ___ ZB D.C.C.I. Body with Polished Bronze Top
- ___ ZN D.C.C.I. Body with Polished Nickel Bronze Top*

SUFFIXES

- ___ -AR Acid Resisting Epoxy Coated Cast Iron
- ___ -DG Duresist Grate
- ___ -G Galvanized Cast Iron
- ___ -P Trap Primer Connection
- ___ -S Secondary Strainer
- ___ TC Neo-Loc Test Cap Gasket
(3 [76] - 4 [102] NL Bottom Outlet Only)
- ___ -TS Top Secured with Slotted Screws
- ___ -V Backwater Valve (See Z1099)
- ___ -VP Vandal-Proof Secured Top
- ___ -Y Sediment Bucket
- ___ -90 90° Threaded Side Outlet Body

*REGULARLY FURNISHED UNLESS OTHERWISE SPECIFIED

REV.	DATE: 4/9/09	C.N. NO. 99893
DWG. NO. P-15689 PRODUCT NO. ZN509-81		

ZURN INDUSTRIES, LLC. ♦ SPECIFICATION DRAINAGE OPERATION ♦ 1801 Pittsburgh Ave. ♦ Erie, PA 16514

Phone: 814/455-0921 ♦ Fax: 814/454-7929 ♦ World Wide Web: www.zurn.com

In Canada: ZURN INDUSTRIES LIMITED ♦ 3544 Nashua Drive ♦ Mississauga, Ontario L4V1L2 ♦ Phone: 905/405-8272 Fax: 905/405-1292